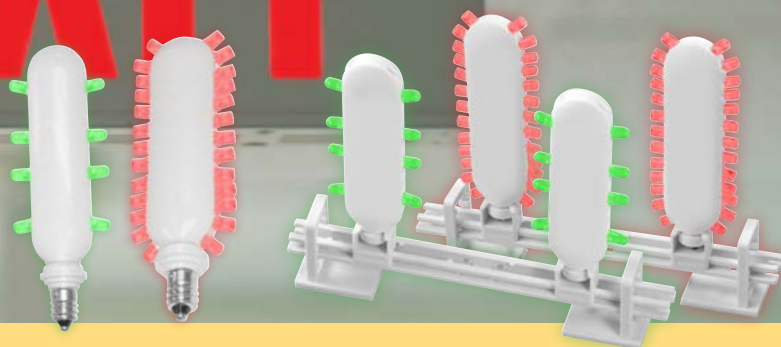




# LED Paddle Retrofit Kits

## Product Specifications



Upgrade existing incandescent and LED exit signs with LED Paddle Retrofit Kits from TCP. The innovative Candelabra Retrofit and Hardwire Kits fit most single- and double-sided exit signs and are available in red and green.

### Reasons to Choose LED Paddle Retrofit Kits from TCP

- Solid construction – made to retrofit into most existing exit signs
- Kits easily convert most incandescent exit signs to energy-efficient LED
- ETL listed
- Innovative concave design
- Available in candelabra retrofit kit and hardwire kit
- Available in red or green

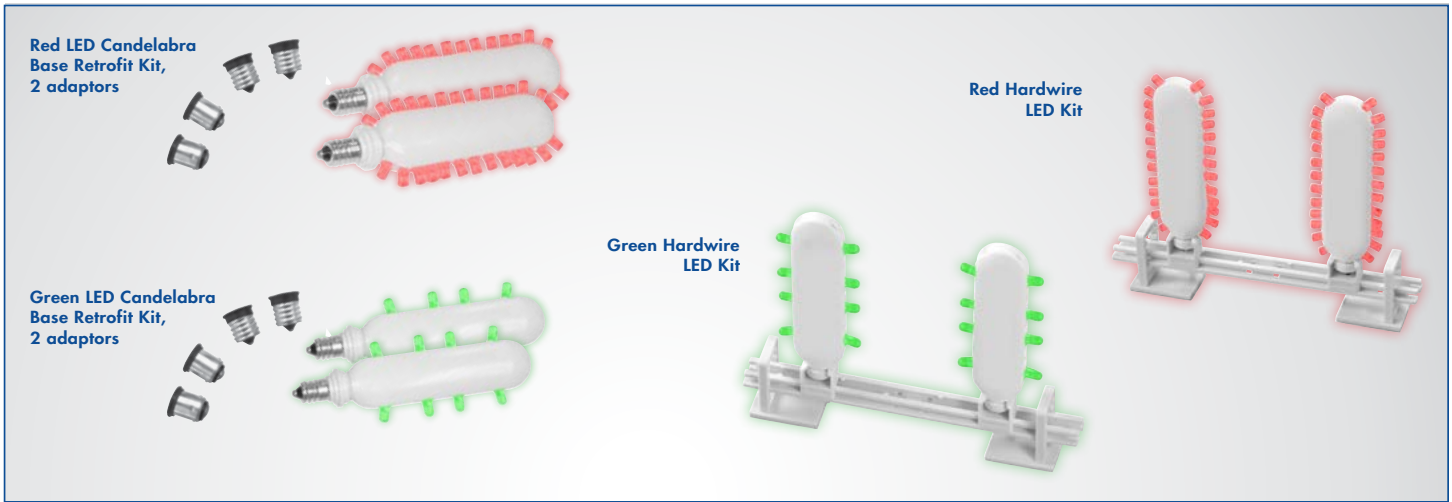
### Ideal Applications

- Retail
- Commercial
- Industrial
- Schools
- Hospitals
- Parking Lots

### Construction

- Solid construction – made to fit into existing exit signs
- Available in candelabra base retrofit kit or hardwire kit
- Candelabra retrofit comes with bayonet and intermediate base adapters
- Hardwire version comes with mounting bracket and double-sided tape for easy installation





## Specifications

Voltage .....	Dual 120/277V
Wattage .....	2.8W per kit
Min Start Temp .....	32° F (0° C)
Max Oper Temp .....	122° F (50° C)
Listings.....	ETL listed, conforms to UL924, NFPA 101 Life Safety Code, NEC, OSHA, Local and State Codes
Warranty.....	5 years

## Electrical

- Dual 120/277V
- 2.8W per kit
- Excellent energy efficiency

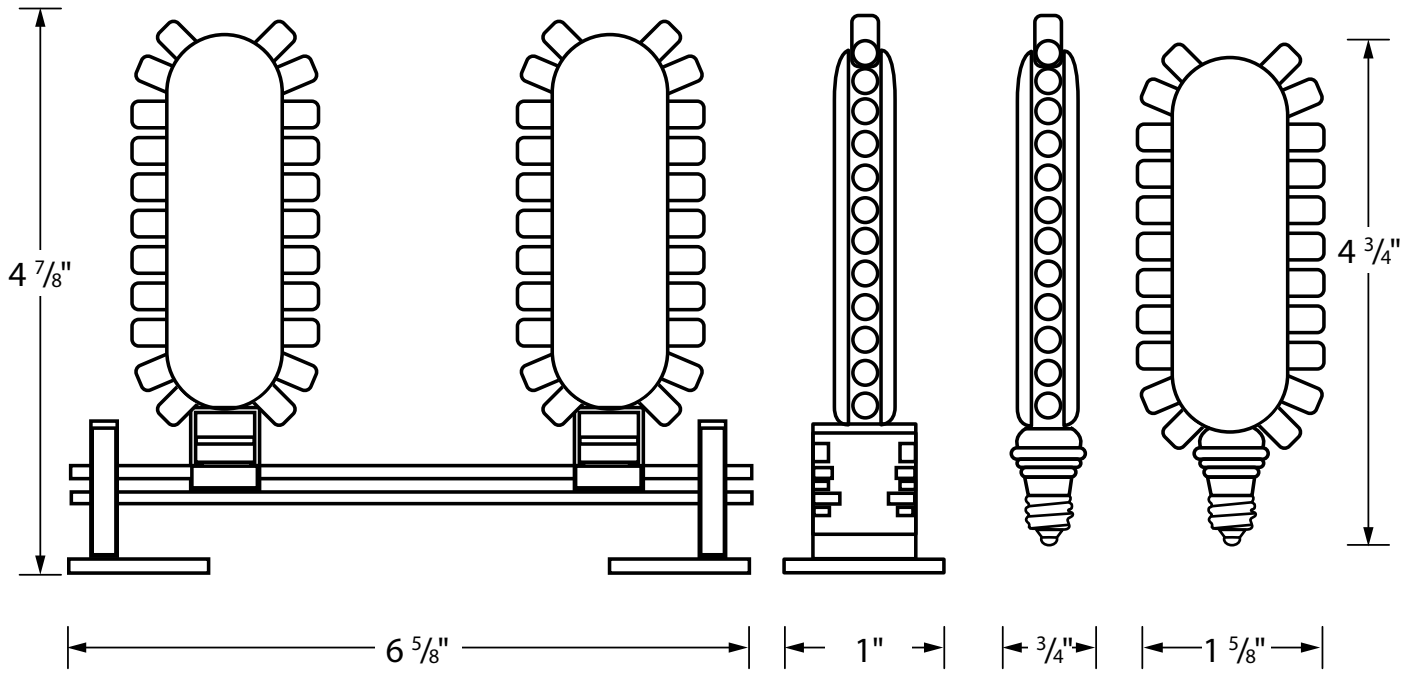
## Optics

- Ultra-bright, energy-efficient LEDs
- Innovative concave design
- Available in green or red

## Installation

- Installs easily into most existing exit signs





Hardwire Kit

Candelabra Kit

ITEM #	DESCRIPTION	MOL (INCHES)	WIDTH (INCHES)	DEPTH (INCHES)	INPUT VOLTAGE	WATTS PER LAMP
<b>LED Paddle Retrofit Kits</b>						
20715	Red LED Candelabra Base Retrofit, 2 Adapters	4.75	1.63	0.75	120V	1.4W
20716	Red LED Hardwire Kit, 120V	4.88	6.63	1.0	120V	1.4W
20717	Green LED Candelabra Base Retrofit, 2 Adapters	4.75	1.63	0.75	120V	0.7W
20718	Green LED Hardwire Kit, 120V	4.88	6.63	1.0	120V	0.7W



**5** YEAR WARRANTY

# TECHNOLOGY CAST IN A BEAUTIFUL LIGHT

For over 20 years, TCP has been designing, developing and delivering energy-efficient lighting into the market. Thanks to our cutting-edge technology and manufacturing expertise, we have shipped billions of high quality lighting products. With TCP, you can count on a lighting product that is designed to meet the needs of the market - that transforms your surroundings and envelopes you in warmth - lighting that generates beauty with every flip of the switch.

Sales:

Date:

Model:

Project:

Rep:

Catalog Number:

Type:

Notes:



For more information on the quality and care TCP can deliver, call us at **800.324.1496** or visit [tcp.com](http://tcp.com)

325 Campus Dr. | Aurora, Ohio 44202 | P: 800.324.1496 | F: 877.487.0516