

LED Compact Wall Pack

Product Specifications



TCP's LED Non-Cutoff Compact Wall Pack combines the look of a traditional wall pack with the benefits of LED. An efficient alternative to HID, these wall packs deliver bright, uniform light while providing energy savings. A long, 50,000 hour rated life significantly decreases maintenance labor and material costs over the life of the fixture.

The robust die-cast aluminum housing incorporates an impact-resistant polycarbonate lens. An integrated photocell is optional for dusk-to-dawn control. The wall pack mounts directly to a standard junction box for easy retrofit of traditional fixtures.

Reasons to choose the LED Compact Wall Pack from TCP

- Delivers bright, white light with excellent uniformity
- Wet-location rated for safe outdoor usage
- Durable construction with die-cast aluminum housing and impact-resistant polycarbonate lens

Ideal Applications

- Site Lighting
- Security Lighting
- Pathways
- Entrances
- Perimeters

Applications

This product family can be effectively used in outdoor wall mount locations including commercial, industrial, retail and healthcare exterior lighting, parking lot, cargo door, high wall, area, security, etc.

Construction

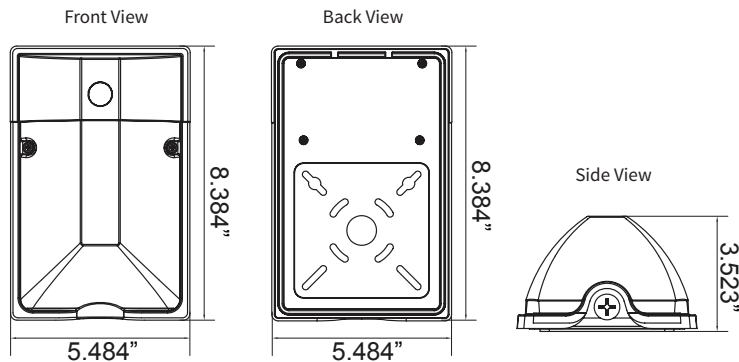
- Die-cast aluminum housing
- Impact-resistant polycarbonate lens
- Durable bronze powder coat

Electrical

- cULus wet location rated
- Easy-to-access wiring compartment
- System rated for long 50,000 hour life
- Efficiently delivers up to 100 LPW

Optics

- Polycarbonate lens
- Delivers bright, white light and excellent uniformity



Approximate Luminaire Weight: 2.16 lbs

Item Number	
Notes	Type



Listings

UL and cUL listed
RoHS Compliant
DLC Premium 4.3

Warranty

Five year limited warranty against defects in manufacturing.

Item#	Description	DLC	Lumens	Wattage	LPW	Voltage	Power Factor	CCT	CRI	Life	L (in.)	H. (in.)	W (in.)
LED COMPACT WALL PACK • 50,000 HOUR													
WP1700140S	LED Compact Wall Pack - Non Dim 40K W/PC	★	1700	17	100	120-277V	≥0.9	4000K	>80	50000	8.4	3.5	5.5
WP1700150S	LED Compact Wall Pack - Non Dim 50K W/PC	★	1700	17	100	120-277V	≥0.9	5000K	>80	50000	8.4	3.5	5.5
WP2500150	LED Compact Wall Pack - Non Dim 50K	★	2250	25	90	120-277V	≥0.9	5000K	>80	50000	8.4	3.5	5.5
WP2500140S	LED Compact Wall Pack - Non Dim 40K W/PC	★	2250	25	90	120-277V	≥0.9	4000K	>80	50000	8.4	3.5	5.5
WP2500150S	LED Compact Wall Pack - Non Dim 50K W/PC	★	2250	25	90	120-277V	≥0.9	5000K	>80	50000	8.4	3.5	5.5

For the most up-to-date specs and warranty information, please visit www.tcp.com

TCP®
325 Campus Dr. | Aurora, Ohio 44202 | P: 800-324-1496 | tcp.com

©TCP NOV 2021/WF210150



5 YEAR WARRANTY

Not all versions of this product are qualified on the DLC QPL. To view our DLC qualified products, please consult the DLC Qualified Products List at www.designlights.org/qpl.

TECHNOLOGY CAST IN A BEAUTIFUL LIGHT

For over 20 years, TCP has been designing, developing and delivering energy-efficient lighting into the market. Thanks to our cutting-edge technology and manufacturing expertise, we have shipped billions of high quality lighting products. With TCP, you can count on a lighting product that is designed to meet the needs of the market - that transforms your surroundings and envelopes you in warmth - lighting that generates beauty with every flip of the switch.

Sales:

Date:

Model:

Project:

Rep:

Catalog Number:

Type:

Notes:



For more information on the quality and care TCP can deliver, call us at **800.324.1496** or visit tcp.com

325 Campus Dr. | Aurora, Ohio 44202 | P: 800.324.1496 | F: 877.487.0516