



Horticulture LED Starlight Product Specifications

When it comes to light output: Lumens are for Humans, PPF is for Plants. Get a head start on this year's growing season by bringing the sun indoors with the TCP Horticulture Starlight. With an industry leading PPF output of up to 60 $\mu\text{mol/s}$, the TCP Horticulture Starlight ensures that your plants are being fed the sunlight energy they need year round.

Reasons to choose the Horticulture LED Starlight Lamp from TCP

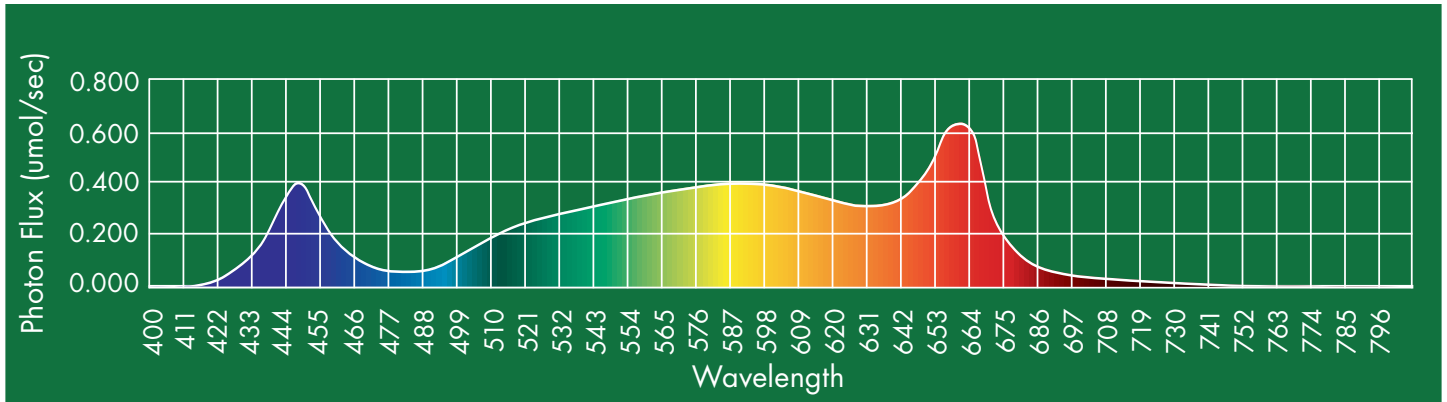
- 110° beam angle allows for larger light spread over plants.
- High-powered but efficient! PPE = 2.44 $\mu\text{mol/J}$.
- TCP's full spectrum technology is designed for all plant species.

Ideal Applications

- Indoor House Plants
- Seedling Germination
- Supplemental Growth Lighting

Full Spectrum:

TCP Full Spectrum Horticulture Technology



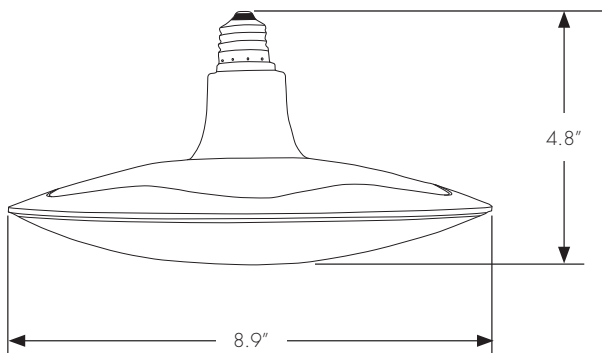
TCP's full spectrum technology provides a balanced blend of Blue, Green and Red light to ensure plants grow healthy and strong. The distinct red peak at 660nm results in a powerful photosynthesis contribution. A blue peak shown at 440nm reduces unwanted stem elongation and leads to strong, healthy, and compact plants. Lastly, TCP's full spectrum includes a generous amount of green light, removing any need for green supplemental lighting when checking plant health.

ITEM #	DESCRIPTION	VOLTAGE	LED WATTS	BEAM ANGLE	MOL (inches)	DIA (inches)	BASE
L25SL22HD30VGWCLAMP	LED HORTICULTURE STARLIGHT 22W	120V	25	110°	4.8	8.9	E26

Specifications:

PPF.....	60 µmol/s	PF.....	0.9827
PPE.....	2.44 µmol/J	Amp.....	0.21
Watts.....	24.31	Dimming.....	Triac
Volts.....	120		

Dimensions:



Clamp Accessory (Included in Box):

Clamp-mounted fixture allows maximum flexibility for positioning the Horticulture LED Starlight Lamp for best light absorption

