



Horticulture Top Light Installation Instructions

HTM Series

IMPORTANT: Install by Qualified Electrician. Please read instructions before proceeding with installation. Keep these instructions for future reference.

 **WARNING**

RISK OF ELECTRIC SHOCK

- Turn off power prior to inspection, installation or removal of fixture.
- Ensure electrical enclosure is properly grounded in accordance with National Electrical Code (NEC) and/or Canadian Electrical Code (CSA).

RISK OF FIRE

- - CAUTION - RISK OF FIRE
- Product must be installed in accordance with NEC and/or applicable local codes by a qualified licensed electrician.
- Wiring connections should be made with UL approved wire connectors.

ATTENTION

- Suitable for operation in ambient not exceeding 40°C
- These photobiological safety markings are based on testing of the light output characteristic of a single horticultural luminaire. Increased exposure risk to facility personnel may be present depending upon the number of horticultural luminaires and their placement and/or positioning within the plant growth facility.
- This product must be installed in accordance with the applicable installation code by a person familiar with the construction and operation of the product and the hazards involved.
- It is the responsibility of the plant growth facility to address these risks at the facility level and to ensure that people entering the plant growth areas while the lights are on, are aware of these risks and that appropriate safeguards are in place. The minimum distance required between fixture and ceiling is 15cm, and the minimum distance required between two fixtures is 20cm.
 - 1) Are not concealed or extended through a wall, floor, ceiling, or other parts of the building structure;
 - 2) Are not located above a suspended ceiling or dropped ceiling;
 - 3) Are not permanently affixed to the building structure;
 - 4) Are routed so that they are not subject to strain and are protected from physical damage;
 - 5) Are visible over their entire length; and
 - 6) Are used within their rated ampacity as determined for the maximum temperature of the installed environment specified in the instructions.
- SUITABLE FOR WET LOCATIONS - IP66 RATED

THIS PRODUCT MUST BE INSTALLED IN ACCORDANCE WITH THE APPLICABLE INSTALLATION CODE BY A PERSON FAMILIAR WITH THE CONSTRUCTION AND OPERATION OF THE PRODUCT AND THE HAZARDS INVOLVED.

continued on back

These instructions are not intended to cover all details or variations in your equipment or your particular requirements for installation, operation or maintenance. Should further information on this product be needed that is not covered by these general installation instructions, please contact the TCP Customer Service Department at phone number 800-324-1496 for further assistance.

SAVE THESE INSTRUCTIONS

TCP®

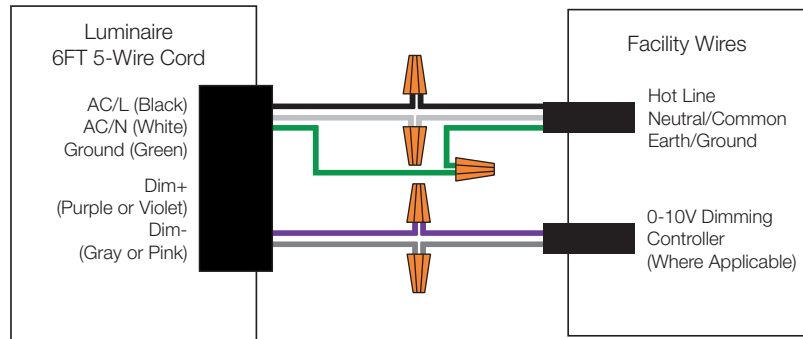
325 Campus Dr. | Aurora, Ohio 44202 | P: 800-324-1496 | tcp.com

READ AND FOLLOW ALL SAFETY INSTRUCTIONS

ATTENTION

- Do not disassemble fixture. No user or serviceable parts inside.
- Do not use this equipment for other than its intended use.
- Work gloves are recommended when handling to protect hands and prevent the transfer of dirt and oil to the luminaire.
- Prior to installation, carefully unpack and properly inspect luminaire for any damage that may have occurred during shipping.

ELECTRICAL CONNECTION



- Make wire connections in a code compliant junction box. Distance between the luminaire and box should be such that enough slack is left to not put strain on connections or interfere with hanging orientation of the luminaire.
- Unused dimming wires must be capped off.

continued on back

These instructions are not intended to cover all details or variations in your equipment or your particular requirements for installation, operation or maintenance. Should further information on this product be needed that is not covered by these general installation instructions, please contact the TCP Customer Service Department at phone number 800-324-1496 for further assistance.

SAVE THESE INSTRUCTIONS

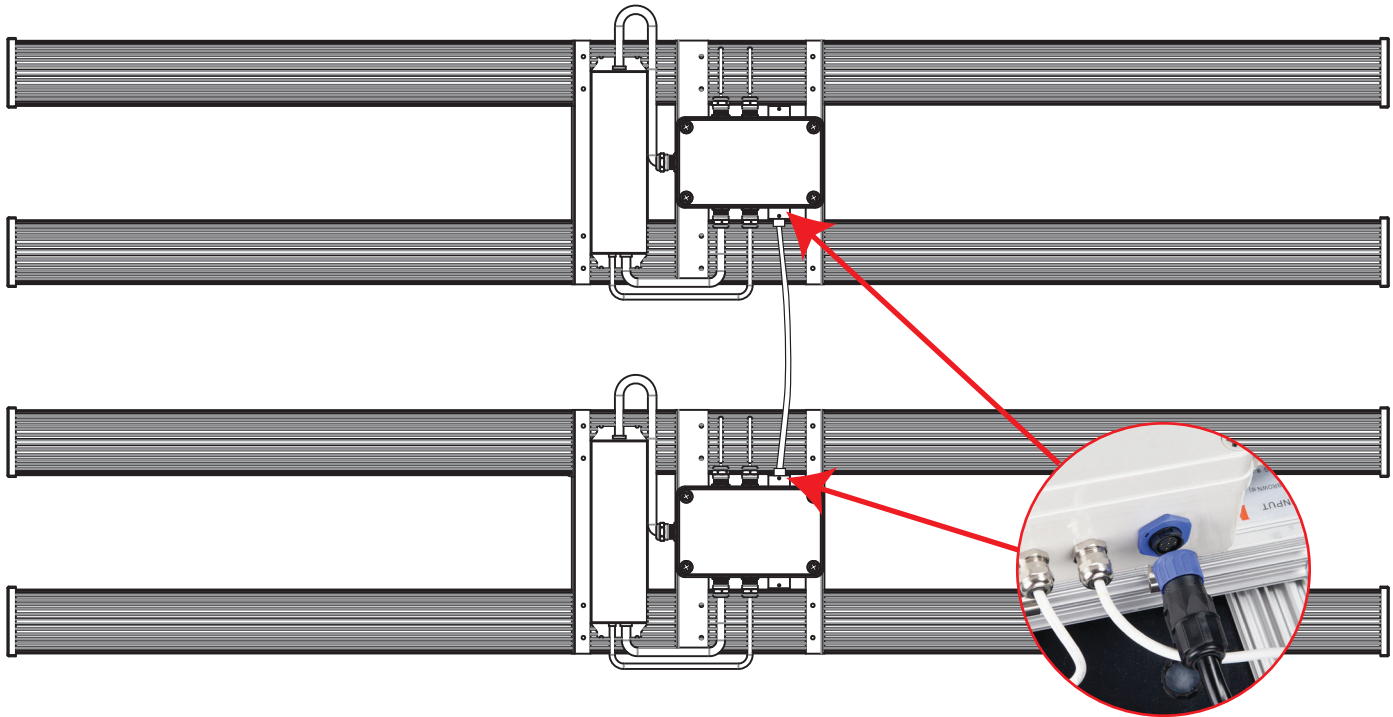
TCP®

325 Campus Dr. | Aurora, Ohio 44202 | P: 800-324-1496 | tcp.com

ELECTRICAL CONNECTION

DAISY CHAIN UNITS

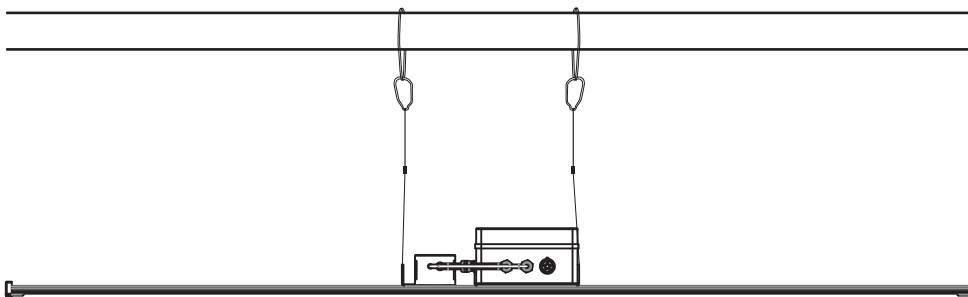
Daisy chain multiple units using the HTMDAISY2FT or HTMDAISY6FT accessories.



Push lock connection allows for fast assembly of daisy chain.

SINGLE UNIT INSTALLATION

1. Locate or create a stable structure to support the luminaire.
2. Connect included hang kit to the luminaire through the slots on both sides.
WARNING: To avoid product failure or injury, do not hang more than (4) HTM units with one included hang kit.
3. Properly secure the luminaire to the structure using the hang kit included in the box and follow applicable state and/or local codes.



These instructions are not intended to cover all details or variations in your equipment or your particular requirements for installation, operation or maintenance. Should further information on this product be needed that is not covered by these general installation instructions, please contact the TCP Customer Service Department at phone number 800-324-1496 for further assistance.

SAVE THESE INSTRUCTIONS

TCP®

325 Campus Dr. | Aurora, Ohio 44202 | P: 800-324-1496 | tcp.com

©TCP JUL 2021/VWF235909