



LED Linear High Bay

Product Specifications



The HB by TCP LED High Bay family is a versatile solution for endless applications. With an all-metal frame and included mounting hardware, the HB by TCP is quick to install and will provide a long-lasting, durable light source for years to come.

Reasons to choose the LED Linear High Bay from TCP

- Steel frame with no scalloping, pop riveted, and rounded-edge corners
- Standard frosted lens for glare control
- No shadows for smooth, even lighting
- Damp location rated
- 0-10V smooth dimming
- 250 or 400W HID equivalent
- 50,000 hour rated life
- Wide beam spread due to angled LED design providing clean cutoff
- Optional battery backup or motion sensors available
- Includes 6 foot power cord

Ideal Applications

- High ceiling locations
- Commercial settings
- Industrial settings
- Retail settings
- Warehouses

Applications

The HB by TCP LED High Bay family is a versatile solution for endless applications. With an all-metal frame and included mounting hardware, the HB by TCP is quick to install and will provide a long-lasting, durable light source for years to come. Best for use in high ceiling locations in commercial, industrial, retail, or warehouse settings.

Features

- Post painted steel frame with no scalloping, pop riveted, and rounded-edge corners
- Standard frosted lens for glare control
- No shadows, smooth, even lighting
- Damp location rated
- 0-10V smooth, no flicker dimming
- Operating temperature: -4° to 122°F
- 250 or 400W HID equivalent
- Long 50,000 hour rated life
- Wide beam spread due to angled LED design providing clean cutoff
- Optional battery backup or motion sensors available
- Includes 6-Foot power cord

Hardware Included

- 2 Tong Hangers
- 5' Jack Chains
- Hub Mount Kit for 3/4" Conduit/Stem Mount
- 6-Foot Pre-wired Cord

Installation

Surface, suspended or pendant mounted. Before installation, please consult your local ordinances and building codes.



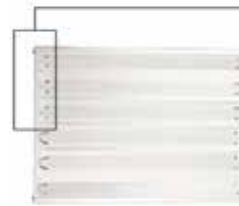
Listings

cULus Listed
RoHS Compliant
5.1 Premium

Warranty

Five year limited warranty against defects in manufacturing.

Larger beam spread due to angled LED design providing clean cut off.



Catalog Ordering Matrix Example: HB21000150

HB					
FAMILY	WATTS ¹²	VOLTAGE	COLOR TEMPERATURE	OPTIONS	CONTROL OPTIONS
HB = LED Linear High Bay	90 – 12,150 Lumens 105 – 14,175 Lumens 150 – 20,250 Lumens 175 – 23,625 Lumens 210 – 30,500 Lumens	001 – 120-277V 002 – 347-480V	40 – 4000K 50 – 5000K	Blank - no add on B - Battery Back-up	Blank - no controls MS1 - Microwave occupancy/daylight sensor, 120-277V LS1 - Leviton Occupancy Sensor, 40' or less, 120V, 277V or 347V LS1D - Leviton Occupancy Sensor w/ Daylight Harvesting, 40' or less, 120V, 277V or 347V LS4 - Leviton Occupancy Sensor, 40' or less, 208V, 240V or 480V

¹ Actual wattage may differ by +/- 10%.

² Approximate lumen output. Actual performance may vary based on CCT, options selected and end user application.

Field Installed Accessories:

Item Number	Description
HB1WG	Wire Guard for HB10500150 & HB15000150
HB2WG	Wire Guard for HB21000150
OT00040	Replacement Lens Panels for HB10500150 & HB15000150
OT00040A	Replacement Lens Panels for HB21000150

For the most up-to-date specs and warranty information, please visit www.tcpi.com

TCP®

325 Campus Dr. | Aurora, Ohio 44202 | P: 800-324-1496 | tcpi.com

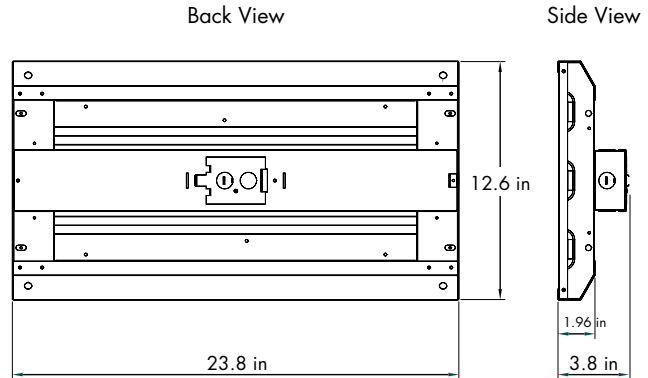
Not all versions of this product are qualified on the DLC QPL. To view our DLC qualified products, please consult the DLC Qualified Products List at www.designlights.org/qpl.



5 YEAR WARRANTY

Dimensions

HB90, HB105 and HB150
(23.8 x 12.6 inches)



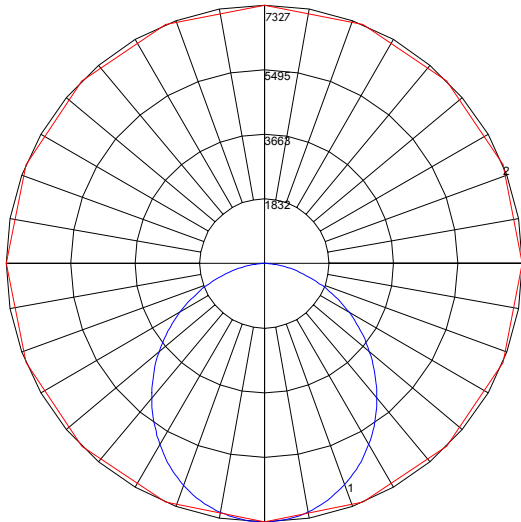
Spacing Criterion

(0-180): 1.22, (90-270): 1.22

Photometric Report

Based on photometric data for
TCP Item # HB15000150

Polar Graph



Maximum Candela = 7326.6 Located At Horizontal Angle = 0, Vertical Angle = 0
1 - Vertical Plane Through Horizontal Angles (0 - 180) (Through Max. Cd.)
2 - Horizontal Cone Through Vertical Angle (0) (Through Max. Cd.)

Average Luminance candelas/square meter (cd/sq.m)

Angle In Degrees	Average 0-Deg	Average 45-Deg	Average 90-Deg
45	33759	33815	33891
55	31348	31304	31454
65	28193	28064	28255
75	23652	23334	23490
85	16244	15281	15047

Coefficients of Utilization – Zonal Cavity Method

Effective Floor Cavity Reflectance 0.20

RC	80				70				50			30			10			0
	70	50	30	10	70	50	30	10	50	30	10	50	30	10	50	30	10	0
0	119	119	119	119	116	116	116	116	111	111	111	106	106	106	102	102	102	100
1	109	104	100	97	106	102	98	95	98	95	92	94	91	89	90	88	86	84
2	99	91	85	79	97	89	83	78	86	81	76	83	78	75	80	76	73	71
3	91	80	72	66	88	79	71	65	76	70	64	73	68	63	71	66	62	60
4	83	71	63	56	81	70	62	56	68	61	55	65	59	54	63	58	54	51
5	77	64	55	49	75	63	55	48	61	53	48	59	52	47	57	51	47	45
6	71	58	49	43	69	57	48	42	55	48	42	53	47	42	52	46	41	39
7	66	52	44	38	64	52	43	38	50	43	37	49	42	37	47	41	37	35
8	61	48	39	34	60	47	39	34	46	39	33	45	38	33	43	37	33	31
9	57	44	36	30	56	43	36	30	42	35	30	41	35	30	40	34	30	28
10	54	41	33	28	52	40	33	28	39	32	27	38	27	27	38	31	27	25

Zonal Lumen Summary

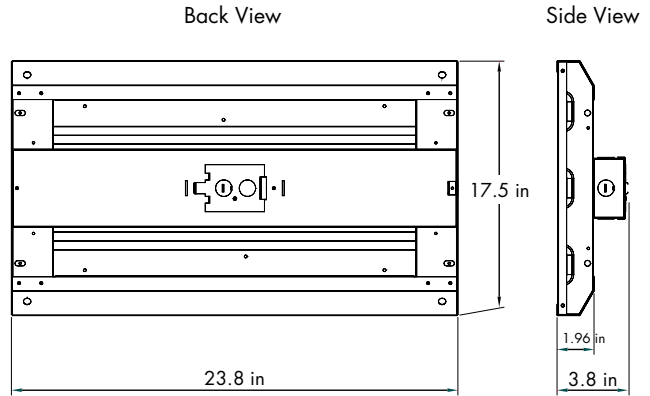
Zone	Lumens	%Lamp	%Fixt
0-20	2651.5	N.A.	13.90
0-30	5566.91	N.A.	29.20
0-40	8987.26	N.A.	47.10
0-60	15407.32	N.A.	80.70
0-80	18796.5	N.A.	98.40
0-90	19093.68	N.A.	100.00
10-90	18402.88	N.A.	96.40
20-40	6335.76	N.A.	33.20
20-50	9766.58	N.A.	51.20
40-70	8610.04	N.A.	45.10
60-80	3389.18	N.A.	17.80
70-80	1199.19	N.A.	6.30
80-90	297.18	N.A.	1.60
90-110	0.00	N.A.	0.00
90-120	0.00	N.A.	0.00
90-130	0.00	N.A.	0.00
90-150	0.00	N.A.	0.00
90-180	0.00	N.A.	0.00
110-180	0.00	N.A.	0.00
0-180	19093.68	N.A.	100.00

Total Luminaire Efficiency = N.A.%

Specifications and dimensions subject to change without notice.

Dimensions

HB175 and HB210
(23.8 x 17.5 inches)



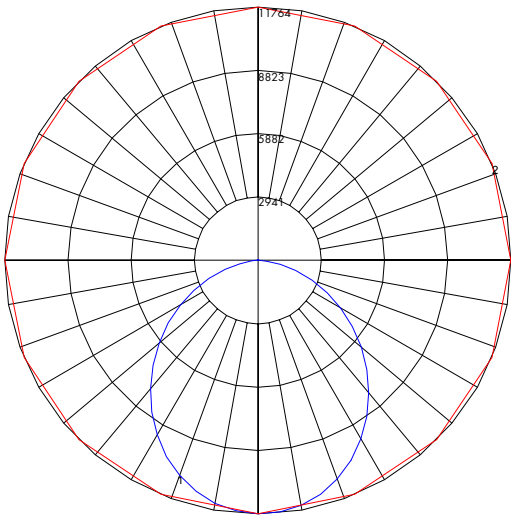
Spacing Criterion

(0-180): 1.22, (90-270): 1.22

Photometric Report

Based on photometric data for
TCP Item # HB21000150

Polar Graph



Maximum Candela = 111764 Located At Horizontal Angle = 157.5, Vertical Angle = 1
1 - Vertical Plane Through Horizontal Angles (157.5 - 337.5) (Through Max. Cd.)
2 - Horizontal Cone Through Vertical Angle (1) (Through Max. Cd.)

Average Luminance candelas/square meter (cd/sq.m)

Angle In Degrees	Average 0-Deg	Average 45-Deg	Average 90-Deg
45	43541	43954	45657
55	36384	37031	39357
65	28107	28797	31327
75	20686	21607	24122
85	13778	16072	19648

Coefficients of Utilization – Zonal Cavity Method

Effective Floor Cavity Reflectance 0.20

RC	80				70				50			30			10			0
	70	50	30	10	70	50	30	10	50	30	10	50	30	10	50	30	10	0
0	119	119	119	119	116	116	116	116	111	111	111	106	106	106	102	102	102	100
1	110	105	101	98	107	103	99	96	99	96	93	95	92	90	91	89	87	85
2	100	93	86	81	98	91	85	80	87	82	78	84	80	76	81	77	74	72
3	92	82	74	68	89	80	73	67	77	71	66	75	69	65	72	68	64	62
4	84	73	65	58	82	72	64	58	69	62	57	67	61	56	65	60	55	53
5	78	65	57	50	76	64	56	50	62	55	50	60	54	49	58	53	49	46
6	72	59	50	44	70	58	50	44	56	49	44	55	48	43	53	47	43	41
7	67	54	45	39	65	53	45	39	51	44	39	50	43	39	49	43	38	36
8	62	49	41	35	61	48	41	35	47	40	35	46	39	35	45	39	34	33
9	58	45	37	32	57	45	37	32	43	36	31	42	36	31	41	35	31	29
10	55	42	34	29	53	41	34	29	40	33	29	39	33	28	38	33	28	27

Zonal Lumen Summary

Zone	Lumens	%Lamp	%Fixt
0-20	4318.17	N.A.	14.30
0-30	9192.38	N.A.	30.50
0-40	15014.95	N.A.	49.80
0-60	25314.00	N.A.	83.90
0-80	29706.29	N.A.	98.50
0-90	30098.71	N.A.	99.80
10-90	28984.64	N.A.	96.10
20-40	10696.78	N.A.	35.50
20-50	16424.06	N.A.	54.40
40-70	13234.42	N.A.	43.90
60-80	4392.29	N.A.	14.60
70-80	1456.92	N.A.	4.80
80-90	392.43	N.A.	1.30
90-110	9.5	N.A.	0.00
90-120	18.45	N.A.	0.10
90-130	30.64	N.A.	0.10
90-150	55.82	N.A.	0.20
90-180	71.91	N.A.	0.20
110-180	62.40	N.A.	0.20
0-180	30170.62	N.A.	100.00

Total Luminaire Efficiency = N.A.%

Specifications and dimensions subject to change without notice.

TECHNOLOGY CAST IN A BEAUTIFUL LIGHT

For over 20 years, TCP has been designing, developing and delivering energy-efficient lighting into the market. Thanks to our cutting-edge technology and manufacturing expertise, we have shipped billions of high quality lighting products. With TCP, you can count on a lighting product that is designed to meet the needs of the market - that transforms your surroundings and envelopes you in warmth - lighting that generates beauty with every flip of the switch.

Sales:

Date:

Model:

Project:

Rep:

Catalog Number:

Type:

Notes:



For more information on the quality and care TCP can deliver, call us at **800.324.1496** or visit tcp.com

325 Campus Dr. | Aurora, Ohio 44202 | P: 800.324.1496 | F: 877.487.0516