

Industra

by TCP

LED IB Series High Bay

Product Specifications



The LED IB Series High Bay features a lightweight, low-profile design that provides exceptional light distribution for mounting heights up to 60 feet.

This durable, robust fixture efficiently delivers over 130 LPW of bright, white, uniform light to maximize energy savings and utility rebates. The long 50,000 hour rated life significantly decreases maintenance, labor, and material costs over the life of the fixture.

A 0-10V dimming driver comes standard, enabling easy integration with a variety of control options.

Reasons to choose the LED IB Series High Bay from TCP

- Energy efficient – Up to 70% energy savings compare to HID
- Smooth, uniform dimming (0-10V)
- Instant on, no warm up time for full light
- Long life: 50,000 hours
- Replaces traditional metal halide and linear fluorescent high bay systems
- Durable 22 gauge housing is code grade steel

Ideal Applications

- Warehouse & Distribution Centers
- Commercial Facilities
- Aisles (Open & Stock)
- Retailers
- Schools & Municipalities
- Field houses & Gymnasiums
- Open Ceiling Designs

Specifications

Input Line Voltage	120-277 VAC
Input Line Frequency (Hz)	50/60HZ
Wattage (W)	
IB2	90W/105W/150W/175W/210W
IB3	310W
IB4	410W
Lumens (L)	
IB2	11,700L/13,650L/19,500L/22,750L/27,300
IB3	40,300L
IB4	53,300L
Rated Life	50,000 hours
Minimum Starting Temperature	-20°C (-4°F)
Maximum Operating Temperature	40°C (-104°F)
CRI	>80
Power Factor	>90%
THD	<20%
Ratings	UL/cUL rated, RoHS
Controls	0-10V dimming (standard)



Replacement Strategy

SYSTEM	INPUT WATTS*	LED ENERGY SAVINGS
TCP LED Linear High Bay - 13,500 lumens	105	—
250W Metal Halide	295	64%
6 Lamp T8 HBF	220	52%
4 Lamp T5 HO	249	58%
TCP LED Linear High Bay - 27,300 lumens	210	—
8 Lamp T5HO	482	56%
400W Metal Halide	458	54%
10 Lamp T8 HB	366	43%

*Approximate lumen output. Actual performance may vary based on CCT, options selected and end user application.

*Actual wattage may differ by +/- 10%.

NOTE: Charts show system lumens (delivered lumens), NOT straight lamp lumen output. This is calculated as follows:

$$\text{System lumens} = \text{mean lumens} \times \# \text{ lamps} \times \text{ballast factor} \times \text{luminaire efficiency factor}$$

Applications

The TCP LED IB Series High Bay is ideal for replacing traditional metal halide and linear fluorescent high bay systems. Benefits include high efficiency, excellent color rendering, long life, instant on, and improved uniformity. Suggested mounting heights up to 60' with primary applications including warehousing, commercial facilities, manufacturing facilities, open and stack aisle applications.

Construction

- Housing: durable 22 gauge steel
- Finish: powder coated, post-painted white
- Large wiring compartment and multiple knock-outs to accommodate lighting controls
- Lightweight, low-profile design
- V hangers included
- 5ft hanging chain included

Electrical

- cULus damp location rated
- 0-10V dimming driver (standard)
- Easy-to-access wiring compartment
- System rated for long 50,000 hour life
- Efficiently delivers >130 LPW

Optics

- High impact, frosted white acrylic lens comes standard to protect the LEDs and minimize glare
- Delivers bright, white light and excellent uniformity



Listings

UL/cUL Listed
RoHS Compliant
DLC 5.0 Premium

Warranty

Five year limited warranty against defects in manufacturing.

Lumen Maintenance

Lumen Maintenance Factor (LMF) ¹	
Item #	36,000 hours ¹
IB2UZDA1	91.40%
IB2UZDA2	90.64%
IB2UZDA3	91.40%
IB2UZDE1	91.40%
IB2UZDE2	90.64%

¹ IESNA TM-21-11 projected value based on 6X IESNA LM-80-08 total test duration of 6,000 hours.

² IESNA TM-21-11 calculated value exceeds 6X IESNA LM-80-08 total test duration of 6,000 hours.

Spacing Criterion

(0-180): 1.22, (90-270): 1.22

Catalog Ordering Matrix Example: IB2UZDA350K

IB		ZD	A3	
FAMILY	VOLTAGE	CONTROLS/DIMMING	LUMEN PACKAGE (Power) ¹²	COLOR TEMPERATURE
IB2 – LED Linear High Bay	U – 120V - 277V	ZD – 0-10V Dimming	A1 – 13,650 lumens (105W) A2 – 19,500 lumens (150W) A3 – 27,300 lumens (210W) E1 – 11,700 lumens (90W) E2 – 22,750 lumens (175W)	40K – 4000K 50K – 5000K

Accessories:

Item Number	Description
10C	10' PCord 277V SJTOOW NO PLUG
LS1	Leviton Occupancy Sensor w/bracket and interchangeable lenses, 40' or less, 120V, 277V, or 347V
LS1D	Leviton Occupancy Sensor w/ Daylight Harvesting – PIR, 40' or less, 120V-277V

¹ Approximate lumen output. Actual performance may vary based on CCT, options selected and end user application.

² Actual wattage may differ by +/- 10%

For the most up-to-date specs and warranty information, please visit www.tcpi.com

Applications

The TCP LED IB Series High Bay is ideal for replacing traditional metal halide and linear fluorescent high bay systems. Benefits include high efficiency, excellent color rendering, long life, instant on, and improved uniformity. Suggested mounting heights up to 60' with primary applications including warehousing, commercial facilities, manufacturing facilities, open and stack aisle applications.

Construction

- Housing: durable 22 gauge steel
- Finish: powder coated, post-painted white
- Large wiring compartment and multiple knock-outs to accommodate lighting controls
- Lightweight, low-profile design
- V hangers included
- 5ft hanging chain included

Electrical

- cULus damp location rated
- 0-10V dimming driver (standard)
- Easy-to-access wiring compartment
- System rated for long 50,000 hour life
- Efficiently delivers >130 LPW

Optics

- High impact, frosted white acrylic lens comes standard to protect the LEDs and minimize glare
- Delivers bright, white light and excellent uniformity



Listings

UL/cUL Listed
RoHS Compliant
DLC 5.0 Premium

Warranty

Five year limited warranty against defects in manufacturing.

Lumen Maintenance

Lumen Maintenance Factor (LMF) ¹	
Item #	36,000 hours ¹
IB3UZDA4	91.40%

¹ IESNA TM-21-11 projected value based on 6X IESNA LM-80-08 total test duration of 6,000 hours.

² IESNA TM-21-11 calculated value exceeds 6X IESNA LM-80-08 total test duration of 6,000 hours.

Spacing Criterion

(0-180): 1.22, (90-270): 1.22

Catalog Ordering Matrix Example: IB3UZDA350K

IB		ZD	A3	
FAMILY	VOLTAGE	CONTROLS/DIMMING	LUMEN PACKAGE (Power) ¹²	COLOR TEMPERATURE
IB3 - LED Linear High Bay	U - 120V - 277V	ZD - 0-10V Dimming	A4 - 40,300 lumens (310W)	40K - 4000K 50K - 5000K

Accessories:

Item Number	Description
10C	10' PCord 277V SJTOOW NO PLUG
LS1	Leviton Occupancy Sensor w/bracket and interchangeable lenses, 40' or less, 120V, 277V, or 347V
LS1D	Leviton Occupancy Sensor w/ Daylight Harvesting - PIR, 40' or less, 120V-277V

¹ Approximate lumen output. Actual performance may vary based on CCT, options selected and end user application.

² Actual wattage may differ by +/- 10%

For the most up-to-date specs and warranty information, please visit www.tcpi.com

Applications

The TCP LED IB Series High Bay is ideal for replacing traditional metal halide and linear fluorescent high bay systems. Benefits include high efficiency, excellent color rendering, long life, instant on, and improved uniformity. Suggested mounting heights up to 60' with primary applications including warehousing, commercial facilities, manufacturing facilities, open and stack aisle applications.

Construction

- Housing: durable 22 gauge steel
- Finish: powder coated, post-painted white
- Large wiring compartment and multiple knock-outs to accommodate lighting controls
- Lightweight, low-profile design
- V hangers included
- 5ft hanging chain included

Electrical

- cULus damp location rated
- 0-10V dimming driver (standard)
- Easy-to-access wiring compartment
- System rated for long 50,000 hour life
- Efficiently delivers >130 LPW

Optics

- High impact, frosted white acrylic lens comes standard to protect the LEDs and minimize glare
- Delivers bright, white light and excellent uniformity



Listings

UL/cUL Listed
RoHS Compliant
DLC 5.0 Premium

Warranty

Five year limited warranty against defects in manufacturing.

Lumen Maintenance

Lumen Maintenance Factor (LMF)¹

Item #	36,000 hours ¹
IB4UZDA5	91.40%

¹ IESNA TM-21-11 projected value based on 6X IESNA LM-80-08 total test duration of 6,000 hours.

² IESNA TM-21-11 calculated value exceeds 6X IESNA LM-80-08 total test duration of 6,000 hours.

Spacing Criterion

(0-180): 1.22, (90-270): 1.22

Catalog Ordering Matrix Example: IB4UZDA350K

IB		ZD	A3	
FAMILY	VOLTAGE	CONTROLS/DIMMING	LUMEN PACKAGE (Power) ¹²	COLOR TEMPERATURE
IB4 – LED Linear High Bay	U – 120V - 277V	ZD – 0-10V Dimming	A5 – 53,000 lumens (410W)	40K – 4000K 50K – 5000K

Accessories:

Item Number	Description
10C	10' PCord 277V SJTOOW NO PLUG
LS1	Leviton Occupancy Sensor w/bracket and interchangeable lenses, 40' or less, 120V, 277V, or 347V
LS1D	Leviton Occupancy Sensor w/ Daylight Harvesting – PIR, 40' or less, 120V-277V

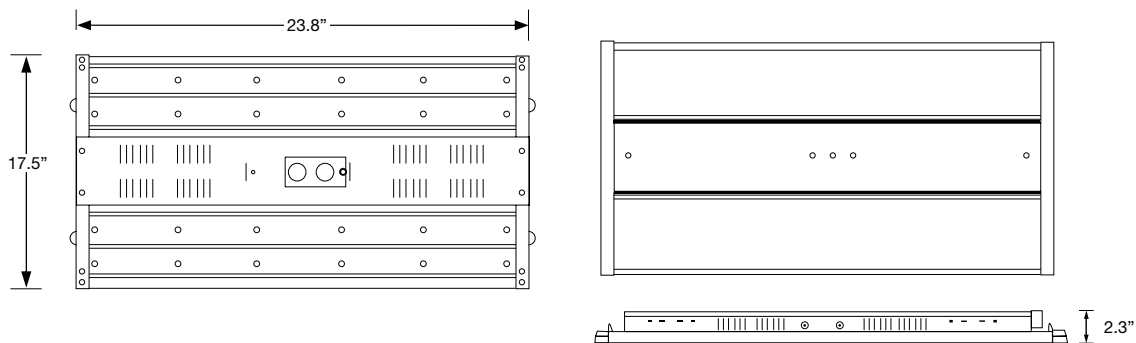
¹ Approximate lumen output. Actual performance may vary based on CCT, options selected and end user application.

² Actual wattage may differ by +/- 10%

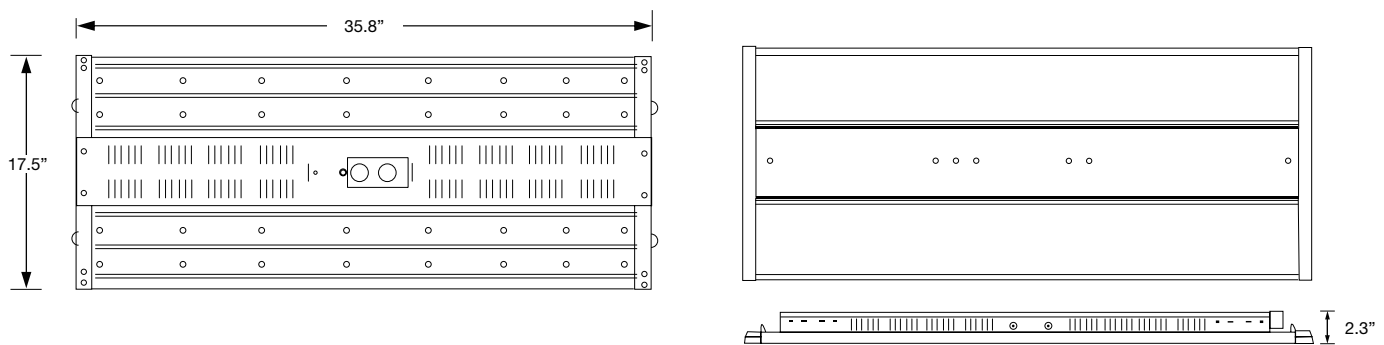
For the most up-to-date specs and warranty information, please visit www.tcpi.com

Dimensions and Mounting Data

IB2UZDAXXXK

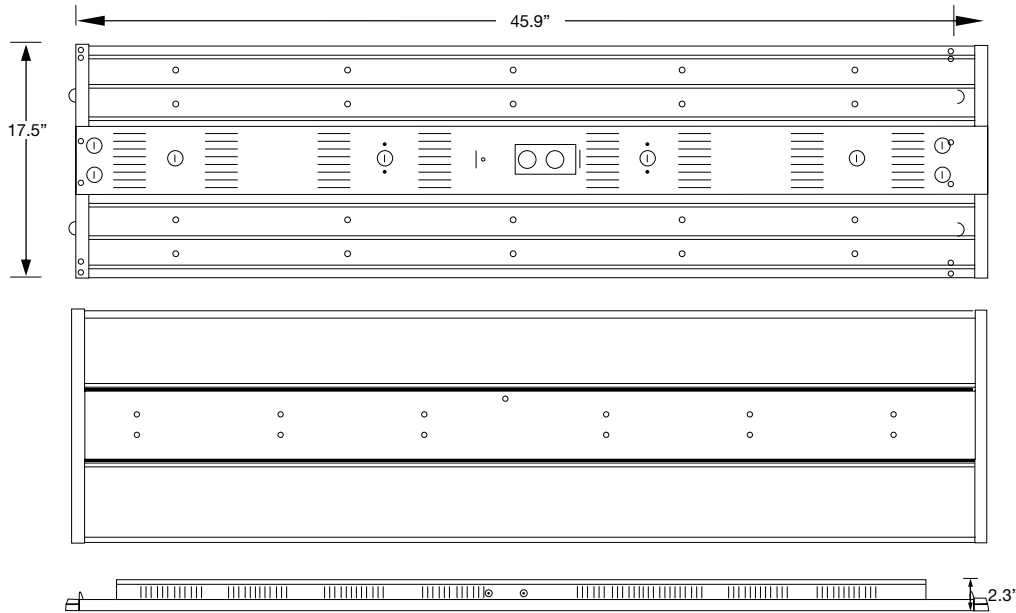


IB3UZDAXXXK



Dimensions and Mounting Data

IB4UZDAXXXK



TECHNOLOGY CAST IN A BEAUTIFUL LIGHT

For over 20 years, TCP has been designing, developing and delivering energy-efficient lighting into the market. Thanks to our cutting-edge technology and manufacturing expertise, we have shipped billions of high quality lighting products. With TCP, you can count on a lighting product that is designed to meet the needs of the market - that transforms your surroundings and envelopes you in warmth - lighting that generates beauty with every flip of the switch.

Sales:

Date:

Model:

Project:

Rep:

Catalog Number:

Type:

Notes:



For more information on the quality and care TCP can deliver, call us at **800.324.1496** or visit tcp.com

325 Campus Dr. | Aurora, Ohio 44202 | P: 800.324.1496 | F: 877.487.0516