



IMPORTANT: Install by Qualified Electrician. Please read instructions before proceeding with installation. Keep these instructions for future reference.

 **WARNING**

RISK OF ELECTRIC SHOCK

- Turn off power prior to inspection, installation or removal of fixture.
- Ensure electrical enclosure is properly grounded in accordance with National Electrical Code (NEC).

RISK OF FIRE

- Product must be installed in accordance with NEC and/or applicable local codes by a qualified licensed electrician.
- Wiring connections should be made with UL approved wire connectors.

THIS PRODUCT MUST BE INSTALLED IN ACCORDANCE WITH THE APPLICABLE INSTALLATION CODE BY A PERSON FAMILIAR WITH THE CONSTRUCTION AND OPERATION OF THE PRODUCT AND THE HAZARDS INVOLVED

ATTENTION

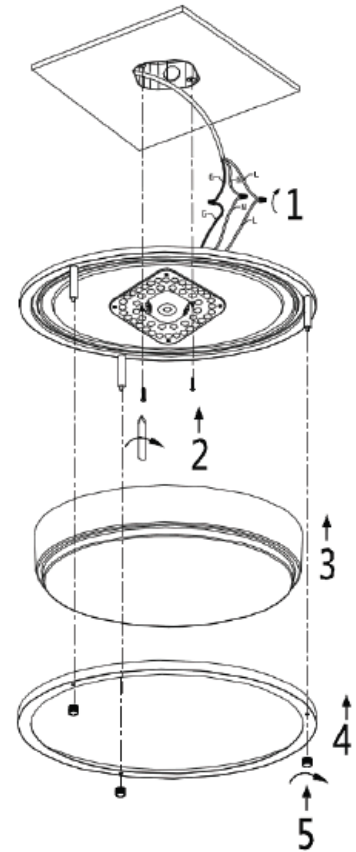
- Use care when handling the luminaire. Do not drop, press, or bend the light panel to avoid damage during installation.
- Work gloves are recommended when handling the LED luminaire to protect hands and prevent the transfer of dirt and oil to the luminaire.
- Prior to installation, carefully unpack and properly inspect luminaire for any damage or loose connections that may have occurred during shipping.

continued on back

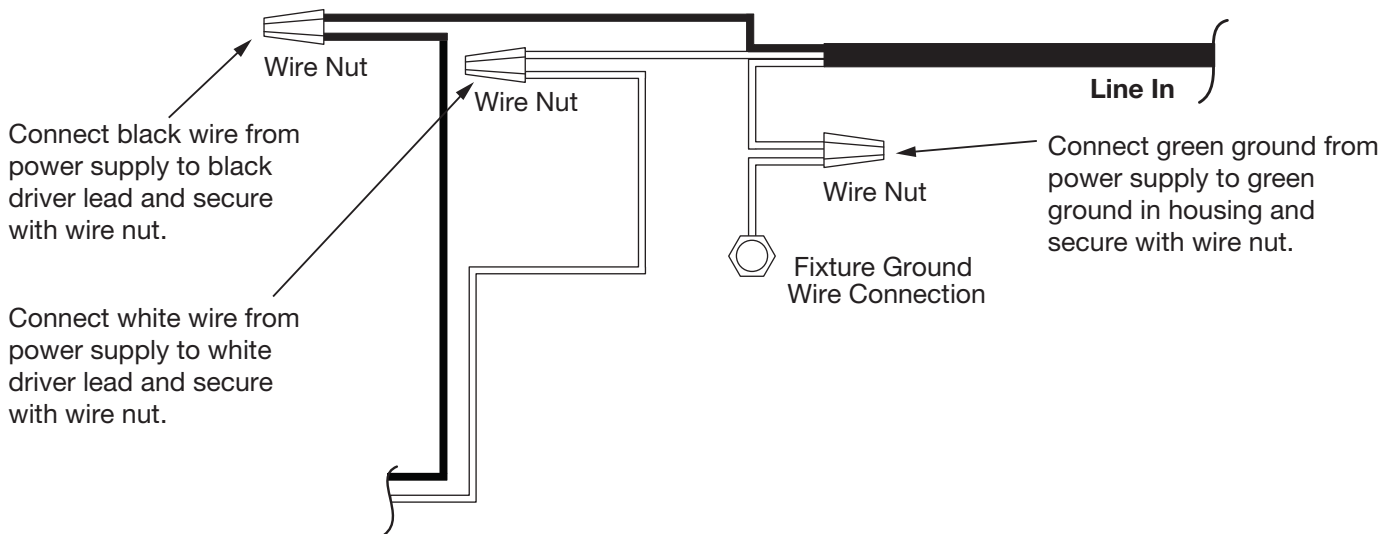
LUMINAIRE INSTALLATION

Junction Box Mounting

- Step 1:** To avoid risk of electric shock, make sure to turn off main power switch prior to installation or maintenance.
- Step 2:** Drive the screws into the junction box, with 2/3 inside and 1/3 outside.
- Step 3:** ELECTRICAL CONNECTIONS
- Connect white wire(s) from the fixture to the white (neutral) wire of the supply circuit, and screw on a wire connector.
- Connect the black wire(s) from the fixture to the black (live) wire of the supply circuit, and screw on a wire connector.
- Connect the green wire(s) from the fixture to the ground wire, and screw on a wire connector. (figure 1).
- Step 4:** Tuck all the wires and connectors into the junction box. Align the mounting hole on the fixture to the screws and put in, then twist the fixture clockwise. Use the screwdriver to adjust the screws outside length and fix the fixture on the ceiling. (figure 2)
- Step 5:** Put the lens back on the light (figure 3) and use the top ring to cover it, fix the light shade (figure 4) and the top ring with 3 pcs hold-down nuts. (figure 5)
- Step 5:** Turn on power and turn on light switch to activate luminaire. (figure 2)



ELECTRICAL CONNECTION



These instructions are not intended to cover all details or variations in your equipment or your particular requirements for installation, operation or maintenance. Should further information on this product be needed that is not covered by these general installation instructions, please contact the TCP Customer Service Department at phone number 800-324-1496 for further assistance.

SAVE THESE INSTRUCTIONS