



LED Adjustable Wall Packs

Product Specifications



TCP's LED Adjustable Wall Packs combine the look of a modern LED wall pack with the added benefit of adjustability up to 20° to add forward throw when needed. An efficient alternative to metal halide, these wall packs deliver bright, uniform light while providing energy savings and rebate eligibility. A long 50,000 hour rated life significantly decreases maintenance labor and material costs over the life of the fixture.

The robust die-cast aluminum housing incorporates an impact resistant polycarbonate lens. An integrated photocell comes standard for dusk-to-dawn control. It mounts directly to a standard junction box for easy retrofit of traditional fixtures.

Reasons to choose the LED Adjustable Wall Packs from TCP

- Uses up to 79% less energy than traditional metal halide, providing instant energy savings and rebate eligibility
- Long 50,000 hour rate life minimizes replacements and labor costs
- Integrated 120-277v button photocell comes standard and provides dusk-to-dawn control
- Mercury free construction is great for all environments
- Die-cast aluminum housing with impact resistant polycarbonate lens protects the LEDs in harsh outdoor environments
- UL approved for wet locations
- Surface mounts to standard junction box for easy installation and retrofit applications

Ideal Applications

- Site Lighting
- Security Lighting
- Pathways
- Entrances
- Perimeters
- Facades

Specifications

Input Line Voltage	120-277 VAC
Input Line Frequency (Hz)	50/60HZ
Wattage (W)	9500L (90W)
Lumens per Watt (LPW)	105 LPW
Color Temperature (CCT)	4000K, 5000K
Dimming	n/a
Controls	Integrated 120-277v button photocell (standard)
Rated Life	>50,000 hours
Operating Temperature	-40°C to 40°C
CRI	70+
Power Factor	>0.9
THD	<20%

Size: A2 (90W)



Warranty

Five year limited warranty against defects in manufacturing

Replacement Comparison

TYPE	WATTAGE	ENERGY SAVINGS (%)
TCP LED Adjustable Wall Pack A2 - 9500 Lumens	90W	—
150W Metal Halide	188W	52%
200W Metal Halide	230W	61%
250W Metal Halide	295W	69%

Applications

TCP's LED Adjustable Wall Packs are a highly efficient alternative to traditional metal halide fixtures. Ideal for outdoor applications requiring bright, uniform light including site lighting, security lighting, entrances, pathways and perimeters.

Construction

- Heavy duty die-cast aluminum housing
- Durable UV stabilized powder coat finish
- Mounts to standard junction box
- Modern style with up to 20° tilt adjustment

Electrical

- Integrated 120-277V button photocell for dusk-to-dawn control
- System rated for long 50,000 hour rated life
- cULus wet location rated
- 4kV surge suppression comes standard

Optics

- Formed reflector creates a Type III distribution
- Clear, impact-resistant polycarbonate outer lens

Lumen Maintenance Factor (LMF)

Item#	36,000 hours ¹	50,000 hours ¹	100,000 hours ²	Reported L ₇₀ (hours) ¹
A2	90.21%	87.02%	76.52%	>42,000

¹ IESNA TM-21-11 projected value based on 6X IESNA LM-80-08 total test duration.

² IESNA TM-21-11 calculated value exceeds 6X IESNA LM-80-08 total test duration.

Item Number	
Notes	Type



Listings

cULus Listed – wet location rated
RoHS Compliant
DLC v4.4 Standard

Installation

Before installation, please consult your local ordinances and building codes for compliance

Warranty

Five year limited warranty against defects in manufacturing

Catalog Ordering Matrix Example: FCWUZDA1T340KBRPC

FC	W	U	ZD		T3		BR	PC
FAMILY	MOUNT	VOLTAGE	DIMMING	LUMENS PACKAGE (Power) ^{1,2}	DISTRIBUTION	CCT	COLOR	PHOTOCELL
FC = Full Cutoff Wall Pack	W = Wall	U = 120V-277V	ZD = 0-10V Dimming	A2 = 9500 Lumens (90W)	T3 = Type III	40K = 4000K 50K = 5000K	BR = Bronze	PC = Button Photocell

¹ Approximate lumen output. Actual performance may vary based on CCT, options selected and end user application.

² Actual wattage may vary by +/- 10%.

Performance Data

LUMEN PACKAGE	NUMBER OF DRIVERS	SYSTEM WATTS	DRIVE CURRENT (mA)	INPUT VOLTAGE	DISTRIBUTION TYPE	4000K 70CRI		5000K 70CRI		B-U-G Rating
						Lumens	LPW	Lumens	LPW	
A2	2	90	980	120-277V	Type III - Medium	9828	109	9432	105	B2-U3-G1

For the most up-to-date specs and warranty information, please visit www.tcp.com

TCP®

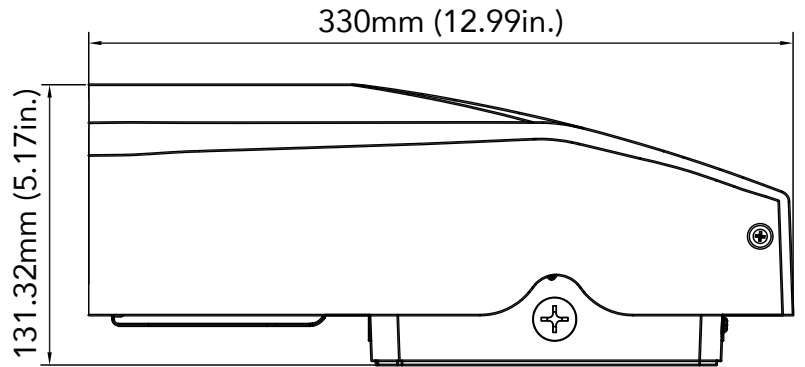
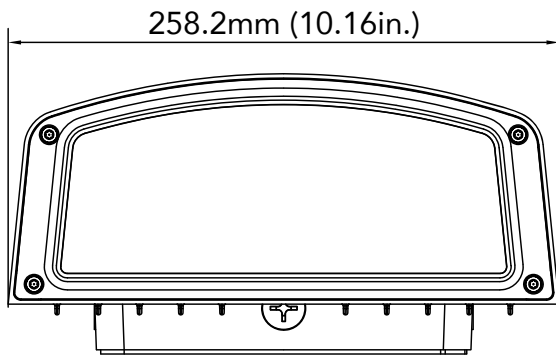
325 Campus Dr. | Aurora, Ohio 44202 | P: 800-324-1496 | tcp.com



5 YEAR WARRANTY

Not all versions of this product are qualified on the DLC GPL. To view our DLC qualified products, please consult the DLC Qualified Products List at www.designlights.org/aql.

Dimensions and Mounting Data

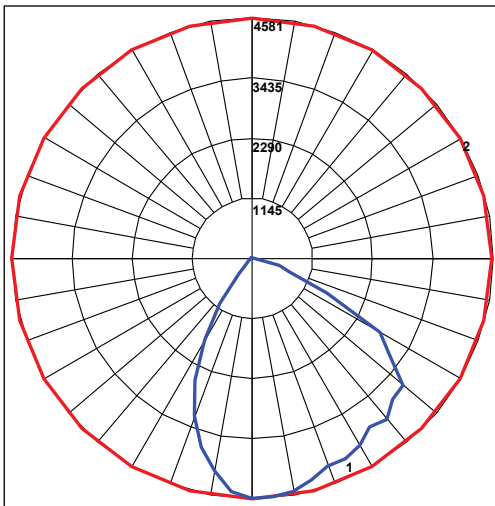


Net Weight
90W:11.023lb

Photometric Report

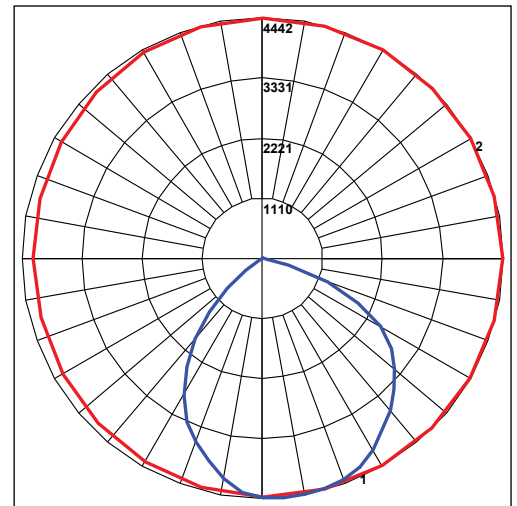
TCP Item # **FCWUZDA2T340KBRPC**
Polar Graph

Maximum Candela =
4580.53 Located At
Horizontal Angle = 360,
Vertical Angle = 0
1 - Vertical Plane
Through Horizontal Angles
(360 - 180)
(Through Max. Cd.)
2 - Horizontal Cone
Through Vertical Angle (0)
(Through Max. Cd.)



TCP Item # **FCWUZDA2T350KBRPC**
Polar Graph

Maximum Candela =
4441.94 Located At
Horizontal Angle = 60,
Vertical Angle = 5
1 - Vertical Plane
Through Horizontal Angles
(60 - 240)
(Through Max. Cd.)
2 - Horizontal Cone
Through Vertical Angle (5)
(Through Max. Cd.)



TECHNOLOGY CAST IN A BEAUTIFUL LIGHT

For over 20 years, TCP has been designing, developing and delivering energy-efficient lighting into the market. Thanks to our cutting-edge technology and manufacturing expertise, we have shipped billions of high quality lighting products. With TCP, you can count on a lighting product that is designed to meet the needs of the market - that transforms your surroundings and envelopes you in warmth - lighting that generates beauty with every flip of the switch.

Sales:

Date:

Model:

Project:

Rep:

Catalog Number:

Type:

Notes:



For more information on the quality and care TCP can deliver, call us at **800.324.1496** or visit tcp.com

325 Campus Dr. | Aurora, Ohio 44202 | P: 800.324.1496 | F: 877.487.0516