



LED Adjustable Wall Packs

Product Specifications



TCP's LED Adjustable Wall Packs are an efficient alternative to traditional metal halide fixtures. Each wall pack has an integrated photocell which allows for dusk-to-dawn control, and mounts easily to a standard junction box making the retrofitting of traditional fixtures simple to complete.

The wall packs feature a housing constructed from heavy duty die-cast aluminum as well as an impact resistant polycarbonate lens.

Reasons to choose the LED Adjustable Wall Packs from TCP

- Uses up to 79% less energy than traditional metal halide fixtures, resulting in instant energy savings and rebate eligibility
- Adjustability up to 90 degrees providing forward throw when needed
- Long 50,000 hour rated life minimizes replacements and reduces overall labor costs throughout the life of the fixture
- Provide a clean, modern aesthetic
- UL approved for wet locations
- Integrated 120-277v button photocell comes standard and provides dusk-to-dawn control
- Mercury free construction is good for all environments
- Die-cast aluminum housing with impact resistant polycarbonate lens protects the LEDs in harsh outdoor environments
- Surface mounts to standard junction box for easy installation and retrofit applications

Ideal Applications

- Site Lighting
- Security Lighting
- Pathways
- Entry ways
- Perimeters
- Facades
- Well suited for outdoor areas where bright uniform light is needed

Specifications

Input Line Voltage	120-277 VAC
Input Line Frequency (Hz)	50/60HZ
Wattage (W).....	5200L (40W)
Lumens per Watt (LPW).....	130 LPW
Color Temperature (CCT)	4000K, 5000K
Dimming.....	0-10v
Controls.....	Integrated 120-277v button photocell (standard)
Rated Life.....	>50,000 hours
Operating Temperature.....	-40°C to 40°C
CRI.....	70+
Power Factor	>0.9
THD.....	<20%

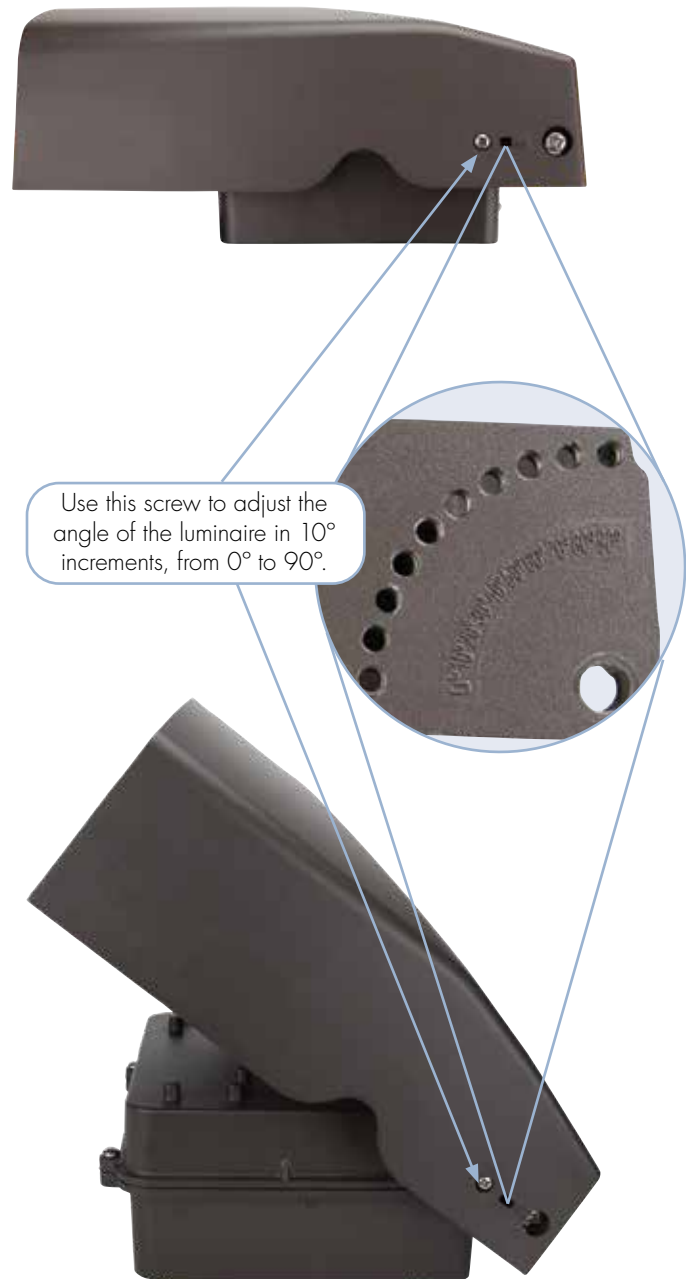
Warranty

Five year limited warranty against defects in manufacturing

Replacement Comparison

TYPE	WATTAGE	ENERGY SAVINGS (%)
TCP LED Adjustable Wall Pack A1 - 5200 Lumens	40W	—
75W Metal Halide	86W	53%
100W Metal Halide	129W	69%
150W Metal Halide	188W	79%

Incremental Adjustment Capabilities





LED Adjustable Wall Pack

Applications

TCP's LED Adjustable Wall Packs are a highly efficient alternative to traditional metal halide fixtures. Ideal for outdoor applications requiring bright, uniform light including site lighting, security lighting, entrances, pathways and perimeters.

Construction

- Heavy duty die-cast aluminum housing
- Durable powder coat finish
- Mounts to standard junction box
- Modern style with up to 90° tilt adjustment

Electrical

- Integrated 120-277V button photocell for dusk-to-dawn control
- System rated for long 50,000 hour rated life
- cULus wet location rated
- 4kV surge suppression comes standard

Optics

- Formed reflector creates a Type III distribution
- Clear, impact-resistant polycarbonate outer lens

Lumen Maintenance Factor (LMF)

Item#	36,000 hours ¹	50,000 hours ¹	100,000 hours ²	Reported L ₇₀ (hours) ¹
B1	90.23%	86.77%	75.43%	>54,000

¹ IESNA TM-21-11 projected value based on 6X IESNA LM-80-08 total test duration.

² IESNA TM-21-11 calculated value exceeds 6X IESNA LM-80-08 total test duration.

Item Number	
Notes	Type



Listings

cULus Listed – wet location rated
RoHS Compliant
DLC v5.0 Premium

Warranty

Five year limited warranty against defects in manufacturing

Catalog Ordering Matrix Example: FCWUZDB1T340KBRPC

FC	W	U	ZD		T3		BR	PC
FAMILY	MOUNT	VOLTAGE	DIMMING	LUMENS PACKAGE (Power) ^{1,2}	DISTRIBUTION	CCT	COLOR	PHOTOCELL
FC = Full Cutoff Wall Pack	W = Wall	U = 120V-277V	ZD = 0-10V Dimming	B1 = 5200 Lumens (40W)	T3 = Type III	40K = 4000K 50K = 5000K	BR = Bronze	PC = Button Photocell

¹ Approximate lumen output. Actual performance may vary based on CCT, options selected and end user application.

² Actual wattage may vary by +/- 10%.

Performance Data

LUMEN PACKAGE	NUMBER OF DRIVERS	SYSTEM WATTS	DRIVE CURRENT (mA)	INPUT VOLTAGE	DISTRIBUTION TYPE	B-U-G Rating
B1	1	41	980	120-277V	Type III - Short	B2-U2-G1

For the most up-to-date specs and warranty information, please visit www.tcp.com

TCP®

325 Campus Dr. | Aurora, Ohio 44202 | P: 800-324-1496 | tcp.com

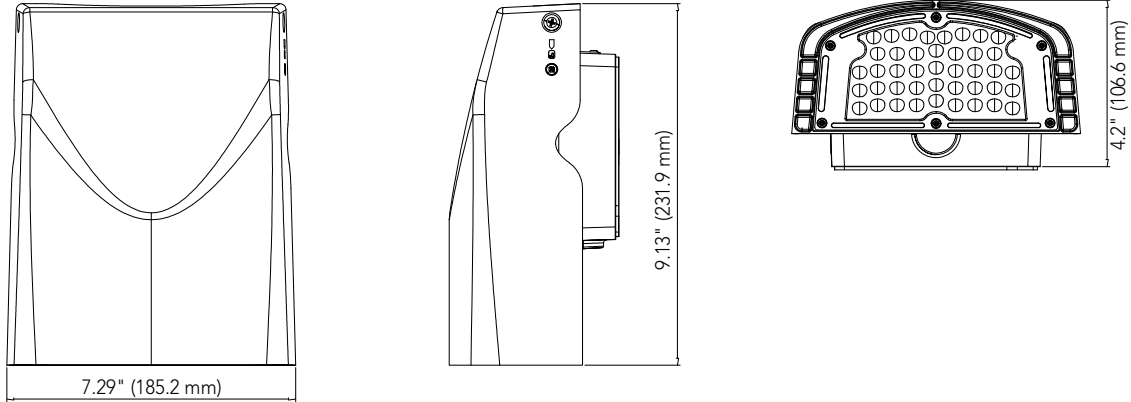


5 YEAR WARRANTY

Not all versions of this product are qualified on the DLC QPL. To view our DLC qualified products, please consult the DLC Qualified Products List at www.designlights.org/qpl.

Dimensions and Mounting Data

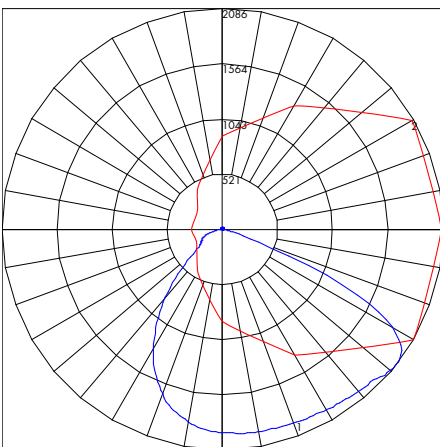
B1



Photometric Report

Polar Graphs

FCWUZDB1T340K



Maximum Candela = 2085.871 Located At Horizontal Angle = 330, Vertical Angle = 53
 # 1 - Vertical Plane Through Horizontal Angles (330 - 150) (Through Max. Cd.)
 # 2 - Horizontal Cone Through Vertical Angle (53) (Through Max. Cd.)

TECHNOLOGY CAST IN A BEAUTIFUL LIGHT

For over 20 years, TCP has been designing, developing and delivering energy-efficient lighting into the market. Thanks to our cutting-edge technology and manufacturing expertise, we have shipped billions of high quality lighting products. With TCP, you can count on a lighting product that is designed to meet the needs of the market - that transforms your surroundings and envelopes you in warmth - lighting that generates beauty with every flip of the switch.

Sales:

Date:

Model:

Project:

Rep:

Catalog Number:

Type:

Notes:



For more information on the quality and care TCP can deliver, call us at **800.324.1496** or visit tcp.com

325 Campus Dr. | Aurora, Ohio 44202 | P: 800.324.1496 | F: 877.487.0516