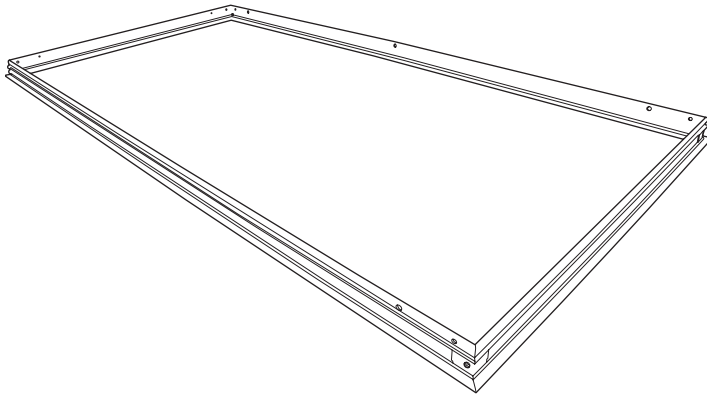


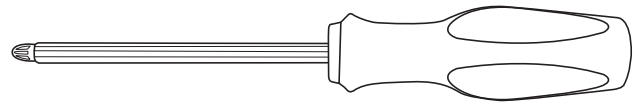


# Flange Kit Assembly Installation Instructions

**THIS PRODUCT MUST BE INSTALLED IN ACCORDANCE WITH THE APPLICABLE INSTALLATION CODE BY A PERSON FAMILIAR WITH THE CONSTRUCTION AND OPERATION OF THE PRODUCT AND THE HAZARDS INVOLVED**

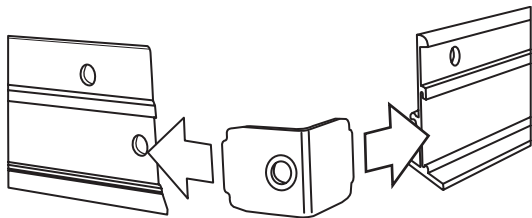


- Tools needed:  
Phillips screwdriver

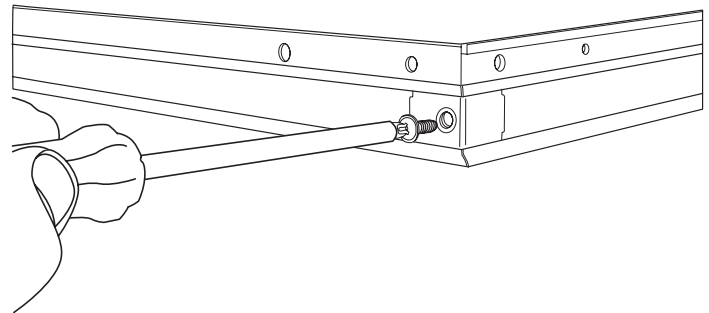


## INSTALLATION:

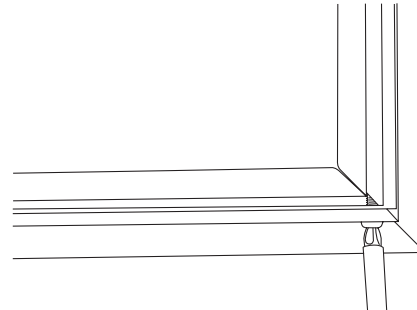
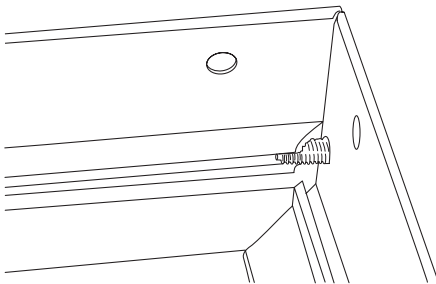
- Slide (snap-lock) the corner angles into side and end/intermediate rails as shown below.



- Secure corner angles into frame using supplied screws.



- Make sure screws firmly lock into groove located on inside of frame section, indicated below:



Individual Unit	Width			Length		
	A	B	C	D	E	F
1'x 4'	12 $\frac{1}{4}$ "	13"	11"	48 $\frac{1}{4}$ "	49"	47"
2'x 2'	24 $\frac{1}{4}$ "	25"	23"	24 $\frac{1}{4}$ "	25"	23"
2'x 4'	24 $\frac{1}{4}$ "	25"	23"	48 $\frac{1}{4}$ "	49"	47"