

SmartStuff Remote

Item Number: SMREMOTE

Product Specifications



The TCP Smart Remote is a Bluetooth® Signal Mesh device that can be used to control any TCP SmartStuff device that is on its Mesh network. Functions such as on, off dimming, and group control can be done through the Smart Remote instead of using the TCP Smart App.

Specifications:

- Operating Voltage2 AAA batteries (not included)
- Radio Protocol.....Bluetooth Signal Mesh
- Communication Range..... 150 ft / 46 m

Download TCP SmartStuff App:

The TCP SmartStuff App is used to configure the Bluetooth® Signal Mesh and TCP SmartStuff devices.

Download the TCP SmartStuff App from using the options below:

- Download the SmartStuff App from the Apple App Store® or Google Play™
- Use the QR Codes here:



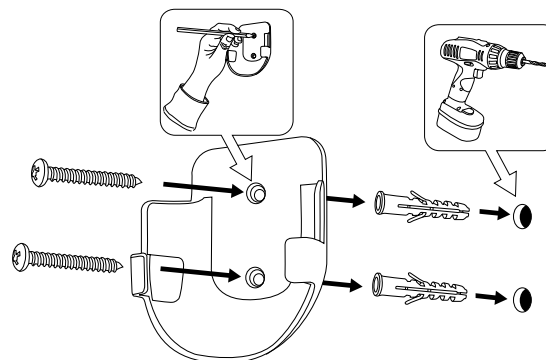
Instructions for configuring TCP SmartStuff App and SmartStuff products are at www.tcpi.com/smartstuff/

Mounting the Smart Remote to a Wall:

HARDWARE NEEDED

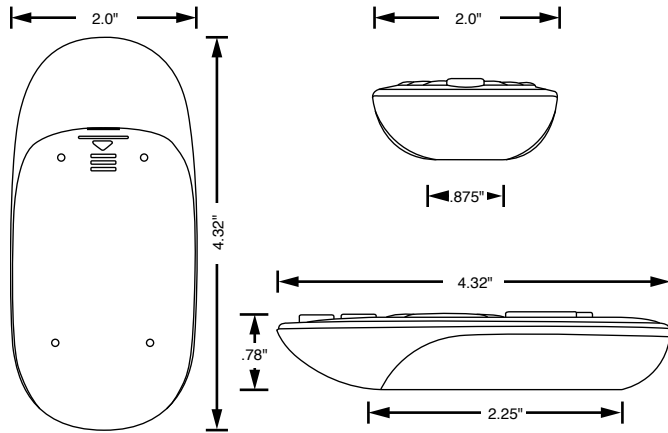
- Electric Drill
- Philips Screw (M3 x 20mm)
- Drywall Anchor (Φ5* 25mm)
- Ruler
- Pencil

1. Remove the Mounting Base from the Smart Remote.
2. Choose desired location of the Mounting Base.
3. Use a pencil to place a mark on the wall where each Drywall Anchor will go.
4. Drill holes.
5. Place Drywall Anchor in wall.
6. Place Mounting Anchor on wall and screw in.

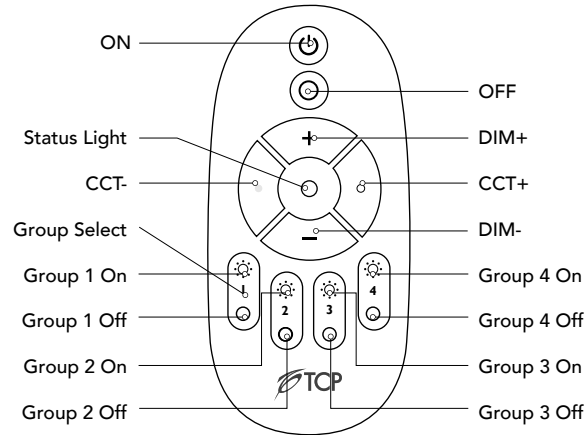


5 YEAR WARRANTY

Dimensions:



Smart Remote Button Descriptions:



Smart Remote Button Instructions:

- ON/OFF:** Turns on/off all TCP SmartStuff devices
DIM+/DIM-: Increases/decreases the brightness of TCP SmartStuff devices
CCT+/CCT-: Increases/decreases the CCT of the TCP SmartStuff devices, if applicable

* TCP SmartStuff devices must be capable of changing its color temperature for the buttons to work

- Group (1, 2, 3, 4) On:** Turns on all TCP SmartStuff devices that are grouped together
Group (1, 2, 3, 4) Off: Turns off all TCP SmartStuff devices that are grouped together
Group (1, 2, 3, 4) Select: Selects the corresponding group

Switching Between Groups

Pressing on Group On/Group Off, or Group Select buttons will enable the Smart Remote to control the corresponding group. Pressing the CCT or Brightness buttons will affect the TCP SmartStuff devices in that group only. To change the Smart Remote to control all the SmartStuff devices, press either ON or OFF. Setting up the Groups must be done through the TCP SmartStuff App.

Resetting the TCP SmartStuff Remote:

With the SmartStuff Remote:

- Press and hold "ON" and "DIM+" buttons for 3 seconds.
- The Status Light will slowly flash 3 times.
- SmartStuff Remote has been reset to the Factory Setting.

Programming the TCP SmartStuff Remote:

With the SmartStuff Remote:

- Press and hold the "ON" and "DIM-" buttons for 3 seconds.
- The Status Light will flash for 60 seconds.

While the Status Light on the SmartStuff Remote is flashing, go to the TCP SmartStuff App:

- Go to the Add Accessory Screen.
- The SmartStuff App will scan for nearby SmartStuff Accessories that can be programmed.
- Once the SmartStuff Remote has been found by SmartStuff App, it will show up on the screen.
- Press the "Add Device" button on the SmartStuff App to complete the programming.

TCP SmartStuff Remote can be used to turn on/off and dim all the devices associated with it.

The "Android" name, the Android logo, Google Play and the Google Play logo are trademarks of Google LLC. Apple, the Apple logo, and the App Store are trademarks of Apple Inc., registered in the U.S. and other countries. The Bluetooth® word mark and logos are registered trademarks owned by Bluetooth SIG, Inc. and any use of such marks by TCP is under license.

