

Industra

by TCP

LED UFO High Bay Luminaires



TCP's easy-to-install LED UFO High Bay Luminaires have a sleek, robust design that meets a variety of application needs.

Combining long life and outstanding efficacy up to 145LPW, TCP offers a cost effective solution to maximize energy and maintenance savings. These LED luminaires instantly deliver brilliant white light, eliminating long warm-up times experienced with HID fixtures.

Reasons to choose the LED UFO High Bay Luminaires from TCP

Energy efficient design delivers up to 145 LPW

Smooth, uniform 0-10V dimming

Instant on

Long life: 50,000 hours

Heavy duty die-cast aluminum housing

IP65 wet location rated

Ideal Applications

- Warehouses & Distribution Centers
- Commercial Facilities
- Aisles (Open & Stock)
- Retailers
- Schools & Municipalities
- Field Houses & Gymnasiums
- Open Ceiling Designs



Applications

This product can be effectively used in many indoor applications such as Convention Centers, Warehouses, Commercial Facilities, Retail Stores, Schools, Gymnasiums, or any open ceiling design.

Construction

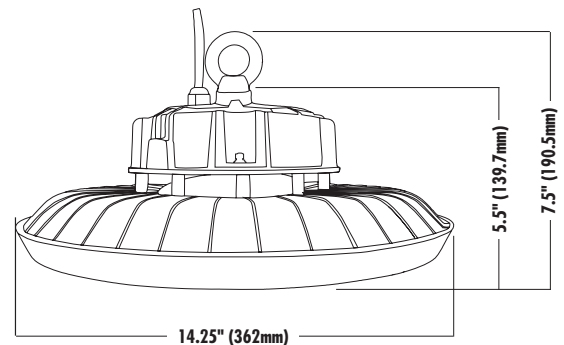
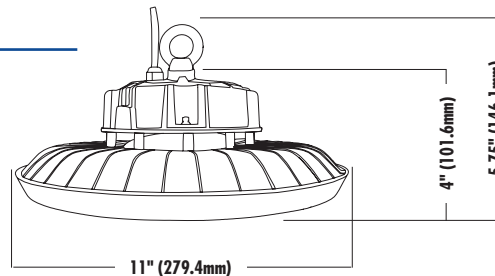
- IP65 rated
- Die-cast aluminum housing
- Impact-resistant acrylic lens
- Durable black powder coat
- Hangs from an included eye bolt
- Operating temperature: -20°C - 40°C

Electrical

- cULus wet location rated
- 6 foot power cord
- 0-10V Dimming
- Power cord and dimming leads extend from the top
- System rated for long 50,000 hour life
- Efficiently delivers up to 145 LPW

Optics

- Clear impact-resistant acrylic lens
- Delivers bright, white light and excellent uniformity



Listings
UL and cUL listed
IP65 Rated
DLC v4.4 Standard

Warranty
Five year limited warranty against defects in manufacturing.

ITEM #	DESCRIPTION	RATED LUMENS	RATED WATTAGE	RATED LPW	VOLTAGE	POWER FACTOR	CCT	CRI	LIFE (HOURS)	L (IN.)	H (IN.)	W (IN.)
UFOUZDB140K	UFO HIBAY 120-277V 100W 145LPW 40K	14000	100	140	120-277V	>90	4000K	>80	50,000	11	4	11
UFOUZDB150K	UFO HIBAY 120-277V 100W 145LPW 50K	14000	100	140	120-277V	>90	5000K	>80	50,000	11	4	11
UFOUZDB240K	UFO HIBAY 120-277V 150W 145LPW 40K	21000	150	140	120-277V	>90	4000K	>80	50,000	11	4	11
UFOUZDB250K	UFO HIBAY 120-277V 150W 145LPW 50K	21000	150	140	120-277V	>90	5000K	>80	50,000	11	4	11
UFOUZDB340K	UFO HIBAY 120-277V 200W 145LPW 40K	29000	200	145	120-277V	>90	4000K	>80	50,000	11	4	11
UFOUZDB350K	UFO HIBAY 120-277V 200W 145LPW 50K	29000	200	145	120-277V	>90	5000K	>80	50,000	11	4	11
UFOUZDB440K	UFO HIBAY 120-277V 250W 145LPW 40K	34800	240	145	120-277V	>90	4000K	>80	50,000	14.25	5.5	14.25
UFOUZDB450K	UFO HIBAY 120-277V 250W 145LPW 50K	34800	240	145	120-277V	>90	5000K	>80	50,000	14.25	5.5	14.25
UFOUZDB540K	UFO HIBAY 120-277V 300W 145LPW 40K	43500	300	145	120-277V	>90	4000K	>80	50,000	14.25	5.5	14.25
UFOUZDB550K	UFO HIBAY 120-277V 300W 145LPW 50K	43500	300	145	120-277V	>90	5000K	>80	50,000	14.25	5.5	14.25

For the most up-to-date specs and warranty information, please visit www.tcpi.com