

Elements

by TCP



LED Security Light

Limitless Options
for the following applications:

TCP's LED Security Light combines the look of a traditional barn light with the benefits of LED. An efficient alternative to HID, these security lights deliver bright uniform light while providing energy savings. A long 50,000 hour rated life significantly decreases maintenance labor and material costs over the life of the fixture.

The robust die-cast aluminum housing incorporates an impact resistant acrylic lens. An integrated button photocell is standard for dusk-to-dawn control. The security light mounts directly to a wall or horizontal arm up to 1 5/8" O.D. for easy installation or retrofit of traditional luminaires.

- Site Lighting
- Security Lighting
- Entrances
- Perimeters



5 YEAR
WARRANTY

we know light.™

Applications

This product family can be effectively used in outdoor wall mount or horizontal arm mount locations. Commercial, industrial, and rural exterior lighting; parking lot, cargo door, high wall, area and security.

Construction

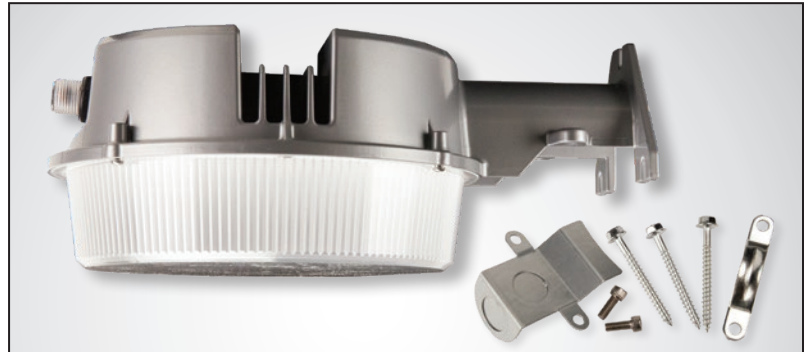
- Die-cast aluminum housing
- Impact resistant acrylic lens
- Durable silver powdercoat
- Mounts to a wall or horizontal arm up to 1 5/8" O.D.

Electrical

- cULus wet location rated
- Easily access wiring for quick installation
- System rated for long 50,000 hour life
- Efficiently delivers up to 140 LPW

Optics

- Prismatic acrylic lens
- Delivers bright, white light and excellent uniformity



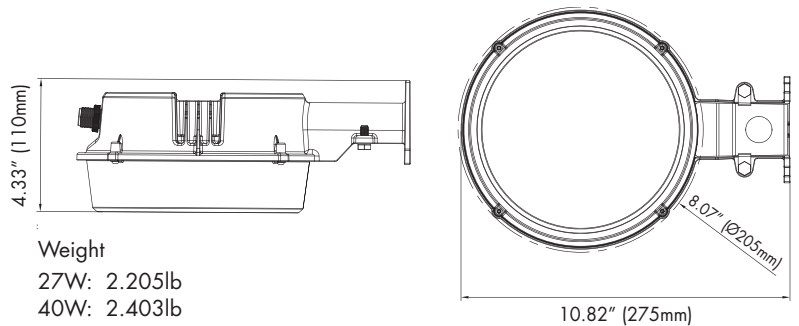
Listings

cULus Listed – wet location rated
RoHS Compliant

Warranty

Five year limited warranty against defects in manufacturing

Dimensions



5 YEAR WARRANTY

LED Security Light Available Part Numbers

Item #	Description	DLC	LUMENS	WATTAGE	LPW	VOLTAGE	POWER FACTOR	CCT	CRI	LIFE (HRS)	L (IN)	H (IN)	W (IN)
RSLUA140KPCSV	LED Security Light Non Dim Button PC 40K	Yes	3,800	27	141	120 - 277	> 0.9	4000K	>70	50,000	10.82	4.33	8.07
RSLUA150KPCSV	LED Security Light Non Dim Button PC 50K	Yes	3,900	27	144	120 - 277	> 0.9	5000K	>70	50,000	10.82	4.33	8.07
RSLUA240KPCSV	LED Security Light Non Dim Button PC 40K	Yes	5,500	40	138	120 - 277	> 0.9	4000K	>70	50,000	10.82	4.33	8.07
RSLUA250KPCSV	LED Security Light Non Dim Button PC 50K	Yes	5,700	40	143	120 - 277	> 0.9	5000K	>70	50,000	10.82	4.33	8.07

For the most up-to-date specs and warranty information, please visit www.tcpi.com