

Elements

by TCP

LED Wall Pack



Limitless Options
for the following applications:

TCP's LED Non-Cutoff Wall Pack combines the look of a traditional wall pack with the benefits of LED. An efficient alternative to HID, these wall packs deliver bright uniform light while providing energy savings. A long 50,000 hour rated life significantly decreases maintenance labor and material costs over the life of the fixture.

The robust die-cast aluminum housing incorporates an impact resistant polycarbonate lens. An integrated photocell is optional for dusk-to-dawn control. An integrated microwave motion sensor is optional for increased power savings. The wall pack mounts directly to a standard junction box for easy retrofit of traditional fixtures.

- Site Lighting
- Security Lighting
- Entrances
- Perimeters



5 YEAR
WARRANTY

we know light.™

LED Non-Cutoff Wall Pack - Polycarbonate Lens

Applications

This product family can be effectively used in outdoor wall mount locations. Commercial, industrial, retail and healthcare exterior lighting; parking lot, cargo door, high wall, area, security, etc.

Construction

- Die-cast aluminum housing
- Impact resistant polycarbonate lens
- Durable dark bronze powdercoat
- Same footprint as existing HID wall packs

Electrical

- cULus wet location rated
- Easy-to-access wiring compartment
- System rated for long 50,000 hour life
- Efficiently delivers up to 125 LPW
- Optional Photocell (PC)
- Optional Microwave Motion Sensor (MS)

Optics

- Prismatic polycarbonate lens
- Delivers bright, white light and excellent uniformity

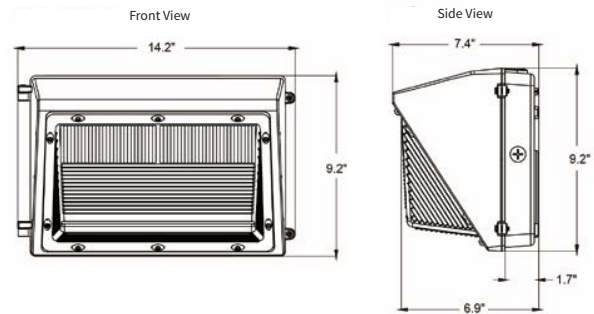


Listings

UL and cUL listed
RoHS Compliant
DLC v4.3 Standard

Warranty

Five year limited warranty against defects in manufacturing.



5 YEAR WARRANTY

To view our DLC qualified products, please consult the DLC Qualified Products List at www.designlights.org/qpl.

ITEM #	DESCRIPTION	DLC	LUMENS	WATTAGE	LPW	VOLTAGE	POWER FACTOR	CCT	CRI	LIFE	L(in.)	H(in.)	W(in.)
LED Wall Pack • 50,000 Hour													
WP5500140	LED Wall Pack - Non Dim 40K	★	6900	55	125.5	120 - 277V	≥0.9	4000K	>80	50000	14.2	9.2	7.4
WP5500150	LED Wall Pack - Non Dim 50K	★	6900	55	125.5	120 - 277V	≥0.9	5000K	>80	50000	14.2	9.2	7.4
WP5500140PC	LED Wall Pack - Non Dim 40K W/PC	★	6900	55	125.5	120 - 277V	≥0.9	4000K	>80	50000	14.2	9.2	7.4
WP5500150PC	LED Wall Pack - Non Dim 50K W/PC	★	6900	55	125.5	120 - 277V	≥0.9	5000K	>80	50000	14.2	9.2	7.4
WP5500140MS	LED Wall Pack - Non Dim 40K W / MS	★	6900	55	125.5	120 - 277V	≥0.9	4000K	>80	50000	14.2	9.2	7.4
WP5500150MS	LED Wall Pack - Non Dim 50K W / MS	★	6900	55	125.5	120 - 277V	≥0.9	5000K	>80	50000	14.2	9.2	7.4
WP12000140	LED Wall Pack - Non Dim 40K	★	14500	120	120.8	120 - 277V	≥0.9	4000K	>80	50000	14.2	9.2	7.4
WP12000150	LED Wall Pack - Non Dim 50K	★	14500	120	120.8	120 - 277V	≥0.9	5000K	>80	50000	14.2	9.2	7.4
WP12000140PC	LED Wall Pack - Non Dim 40K W/PC	★	14500	120	120.8	120 - 277V	≥0.9	4000K	>80	50000	14.2	9.2	7.4
WP12000150PC	LED Wall Pack - Non Dim 50K W/PC	★	14500	120	120.8	120 - 277V	≥0.9	5000K	>80	50000	14.2	9.2	7.4
WP12000140MS	LED Wall Pack - Non Dim 40K W/MS	★	14500	120	120.8	120 - 277V	≥0.9	4000K	>80	50000	14.2	9.2	7.4
WP12000150MS	LED Wall Pack - Non Dim 50K W/MS	★	14500	120	120.8	120 - 277V	≥0.9	5000K	>80	50000	14.2	9.2	7.4

For the most up-to-date specs and warranty information, please visit www.tcpinc.com