

## LED General Purpose Strip LUMINAIRES



Limitless Options  
for the following applications:

TCP's LED General Purpose Strip Luminaires are designed to efficiently deliver robust performance while maximizing savings.

These integrated LED luminaires significantly reduce energy consumption compared to fluorescent systems, providing instant energy savings along with the ability to take advantage of potential utility rebates. A long 50,000 hour rated life significantly decreases maintenance labor and material costs over the life of the fixture.

TCP's General Purpose Strip incorporates a ribbed, frosted white diffuser lens to protect the LEDs and minimize glare, while delivering bright, uniform light.

- General Lighting
- Task Lighting
- Aisles
- Warehouses
- Storage
- Manufacturing Facilities
- Retail



5 YEAR WARRANTY

# LED General Purpose Strip Luminaires

## Features/Benefits

|  |   |
|--|---|
| Up to 58% less energy than traditional fluorescent systems | Instant energy savings and potential rebate eligibility                                     |
| Long 50,000 hour rated life                                | Minimizes replacements and labor costs  |
| Excellent color consistency & CRI                          | Enhances color of focal point while maintaining uniformity throughout lighting installation |
| 0-10V dimming driver comes standard                        | Smooth, continuous dimming  |
| Mercury free   | Great for all environments  |
| Easy to install—surface mount, suspended or pendant        | Easy installation and retrofit application  |

## Specifications

|                           |  |
|---------------------------|--|
| Input Line Voltage        | 120-277V   |
| Input Line Frequency (Hz) | 50/60HZ  |
| Lumens / Wattage          | <b>A Package</b> –2 ft: 2600 (20W), 4 ft: 4200 (32W), 8 ft: 8500 (65W)<br><b>B Package</b> –4 ft: 2300 (18W), 8 ft: 4900 (38W) |
| Lumens per Watt (LPW)     | >130   |
| Color Temperature (CCT)   | 3500K, 4000K & 5000K   |
| Dimming                   | 0-10V (standard)   |
| Controls                  | Occupancy sensor w/ daylight harvesting (optional)   |
| Rated Life                | >50,000 hours  |
| Operating Temperature     | -20°C to 50°C  |
| CRI                       | 80+  |
| Power Factor              | >0.9   |
| THD                       | <20%   |

## Warranty

Five year limited warranty against defects in manufacturing

## Replacement Comparison

| System                                | Ballast Factor | Input Watts* | LED Energy Savings |
|---------------------------------------|----------------|--------------|--------------------|
| <b>TCP LED Strip Luminaire – 2 FT</b> |                | <b>20W</b>   |                    |
| 2 Lamp 17W T8                         | 1.0            | 33           | 39%                |
| <b>TCP LED Strip Luminaire – 4 FT</b> |                | <b>32W</b>   |                    |
| 2 Lamp 32W HBF                        | 1.18           | 65           | 51%                |
| 2 Lamp 32W NBF                        | 0.88           | 59           | 46%                |
| <b>TCP LED Strip Luminaire – 8 FT</b> |                | <b>65W</b>   |                    |
| 4 Lamp 32W T8 HBF                     | 1.18           | 153          | 58%                |
| 4 Lamp 32W T8 NBF                     | 0.88           | 112          | 42%                |

\*Actual wattage may differ by +/-10% when operating between 120-277V.



5 YEAR WARRANTY



Not all versions of this product are qualified on the DLC QPL. To view our DLC qualified products, please consult the DLC Qualified Products List at [www.designlights.org/qpl](http://www.designlights.org/qpl).

### Applications

TCP's LED General Purpose Strip Luminaire deliver bright, uniform light and long life, with the benefits of energy savings and low maintenance. Applications include general lighting, task lighting, aisles, warehouses, storage, manufacturing facilities and retail spaces.

### Construction

- Visually appealing slim, low-profile design
- Heavy duty aluminum housing
- Durable UV stabilized powder coat finish
- Easy surface mount, suspended or pendant installation

### Electrical

- Universal 120-277V
- 0-10V dimming (standard)
- Long 50,000 hour rated life
- cULus damp location rated
- Optional emergency back-up
- Optional occupancy sensors with daylight harvesting (sold separately)

### Optics

- Durable ribbed, frosted white diffuser lens
- Glare-free light distribution



#### Listings

cULus Listed – damp location rated  
RoHS Compliant  
DLC v4.2 Premium

#### Warranty

Five year limited warranty against defects in manufacturing

#### Installation

Surface, suspended or pendant mounted

Before installation, please consult your local ordinances and building codes for compliance

### Lumen Maintenance

| Lumen Maintenance Factor (LMF) |                           |                           |                            |   |
|--------------------------------|---------------------------|---------------------------|----------------------------|---|
|                                | 36,000 hours <sup>1</sup> | 50,002 hours <sup>2</sup> | 100,000 hours <sup>2</sup> | Reported L <sub>70</sub> (hours) <sup>1</sup> |
| TCPGPS2UZDA8xxK                | 90.61%                    | 86.90%                    | 74.82%                     | >36,000                                       |
| TCPGPS4UZDA8xxK                | 90.61%                    | 86.90%                    | 74.82%                     | >36,000                                       |
| TCPGPS8UZDA8xxK                | 90.61%                    | 86.90%                    | 74.82%                     | >36,000                                       |

<sup>1</sup> IESNA TM-21-11 projected value based on 6X IESNA LM-80-08 total test duration of 6,000 hours.

<sup>2</sup> IESNA TM-21-11 calculated value exceeds 6X IESNA LM-80-08 total test duration of 6,000 hours.

## Catalog Ordering Matrix Example: TCPGPS4UZDA840K

| TCP   | GPS                         |  | U             | ZD                 |               | 8      |   |                        |
|-------|-----------------------------|--|---------------|--------------------|---------------|--------|---|------------------------|
| BRAND | PRODUCT ID                  | SIZE                                   | VOLTAGE       | CONTROLS/DIMMING   | LUMEN PACKAGE | CRI    | COLOR TEMPERATURE                         | OPTIONS                |
| TCP   | GPS – General Purpose Strip | 2 – 2 foot<br>4 – 4 foot<br>8 – 8 foot | U – 120V-277V | ZD – 0-10V Dimming | A             | 8 – 80 | 35K – 3500K<br>40K – 4000K<br>50K – 5000K | EB – Emergency Back-Up |
| TCP   | GPS – General Purpose Strip | 4 – 4 foot<br>8 – 8 foot               | U – 120V-277V | ZD – 0-10V Dimming | B             | 8 – 80 | 40K – 4000K<br>50K – 5000K                | EB – Emergency Back-Up |

**REPLACEMENT LENS: TCPGPS4LENS** – GP Strip and Retrofit Lens 4FT Section.  
(ordered separately)

**AVAILABLE CONTROLS: LS1** – Leviton Occupancy Sensor w/bracket and interchangeable lenses, 40' or less, 120V, 277V, or 347V.  
**LS1D** – Leviton Occupancy Sensor w/Daylight Harvesting – PIR, 40' or less, 120V-277V.

## Performance Data

| LUMEN PACKAGE | ITEM #          | WATTAGE <sup>1</sup> | LUMENS <sup>2</sup> | LPW  | CRI | DIMENSIONS          |
|---------------|-----------------|----------------------|---------------------|------|-----|---------------------|
| A             | TCPGPS2UZDA8xxK | 20                   | 2600                | >130 | 80+ | 26" x 3.35" x 3.56" |
|               | TCPGPS4UZDA8xxK | 32                   | 4200                | >130 | 80+ | 48" x 3.35" x 3.56" |
|               | TCPGPS8UZDA8xxK | 65                   | 8500                | >130 | 80+ | 96" x 3.35" x 3.56" |
| B             | TCPGPS4UZDB8xxK | 18                   | 2300                | >130 | 80+ | 48" x 3.35" x 3.56" |
|               | TCPGPS8UZDB8xxK | 38                   | 4900                | >130 | 80+ | 96" x 3.35" x 3.56" |

<sup>1</sup> Actual wattage may vary by +/- 10%.

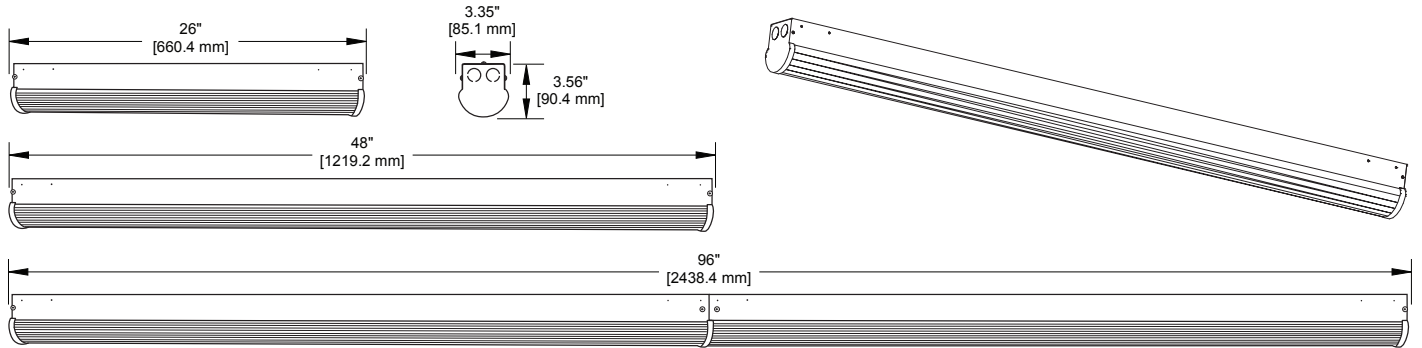
<sup>2</sup> Approximate lumen output. Actual performance may vary based on CCT, options selected and end user application.

For the most up-to-date specs and warranty information, please visit [www.tcpi.com](http://www.tcpi.com)

# LED General Purpose Strip Luminaires

## LED TECHNICAL DATA

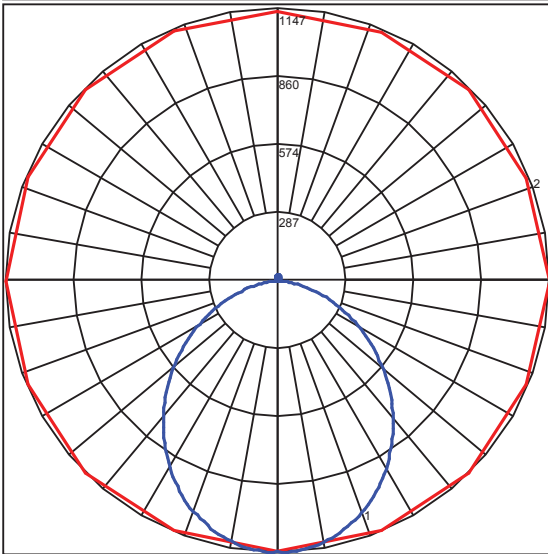
### Dimensions and Mounting Data



### Photometric Report

Based on photometric data for  
TCP Item # TCPGPS4UZDA850K

#### Polar Graph



Maximum Candela = 1147.2 Located At Horizontal Angle = 0, Vertical Angle = 1  
# 1 - Vertical Plane Through Horizontal Angles (0 - 180) (Through Max. Cd.)  
# 2 - Horizontal Cone Through Vertical Angle (1) (Through Max. Cd.)

#### Coefficients of Utilization – Zonal Cavity Method

##### Effective Floor Cavity Reflectance 0.20

| RC | 80  |     |     |     | 70  |     |     |     | 50  |     |     | 30 |    |    | 10 |    |    | 0  |
|----|-----|-----|-----|-----|-----|-----|-----|-----|-----|-----|-----|----|----|----|----|----|----|----|
| RW | 70  | 50  | 30  | 10  | 70  | 50  | 30  | 10  | 50  | 30  | 10  | 50 | 30 | 10 | 50 | 30 | 10 | 0  |
| 0  | 116 | 116 | 116 | 116 | 112 | 112 | 112 | 112 | 105 | 105 | 105 | 98 | 98 | 98 | 91 | 91 | 91 | 88 |
| 1  | 104 | 98  | 93  | 89  | 100 | 95  | 90  | 86  | 88  | 85  | 81  | 82 | 79 | 77 | 77 | 75 | 72 | 69 |
| 2  | 94  | 85  | 77  | 71  | 90  | 82  | 75  | 69  | 76  | 71  | 66  | 71 | 67 | 62 | 67 | 63 | 59 | 56 |
| 3  | 85  | 74  | 65  | 58  | 82  | 71  | 63  | 57  | 67  | 60  | 54  | 62 | 57 | 52 | 58 | 54 | 50 | 47 |
| 4  | 78  | 65  | 56  | 49  | 75  | 63  | 55  | 48  | 59  | 52  | 46  | 55 | 49 | 44 | 52 | 47 | 42 | 40 |
| 5  | 71  | 58  | 49  | 42  | 68  | 56  | 48  | 41  | 53  | 45  | 40  | 50 | 43 | 38 | 47 | 41 | 37 | 34 |
| 6  | 66  | 52  | 43  | 36  | 63  | 51  | 42  | 36  | 48  | 40  | 35  | 45 | 38 | 33 | 42 | 37 | 32 | 30 |
| 7  | 61  | 47  | 38  | 32  | 59  | 46  | 37  | 32  | 43  | 36  | 30  | 41 | 34 | 29 | 39 | 33 | 28 | 26 |
| 8  | 57  | 43  | 34  | 28  | 55  | 42  | 34  | 28  | 40  | 32  | 27  | 37 | 31 | 26 | 35 | 30 | 25 | 23 |
| 9  | 53  | 39  | 31  | 26  | 51  | 38  | 31  | 25  | 36  | 29  | 24  | 34 | 28 | 24 | 33 | 27 | 23 | 21 |
| 10 | 50  | 36  | 28  | 23  | 48  | 35  | 28  | 23  | 34  | 27  | 22  | 32 | 26 | 21 | 30 | 25 | 21 | 19 |

#### Zonal Lumen Summary

| Zone    | Lumens  | %Lamp | %Fixt  |
|---------|---------|-------|--------|
| 0-20    | 415.69  | N.A.  | 10.20  |
| 0-30    | 878.65  | N.A.  | 21.50  |
| 0-40    | 1434.12 | N.A.  | 35.10  |
| 0-60    | 2550.13 | N.A.  | 62.40  |
| 0-80    | 3357.43 | N.A.  | 82.20  |
| 0-90    | 3610.82 | N.A.  | 88.40  |
| 10-90   | 3502.91 | N.A.  | 85.70  |
| 20-40   | 1018.43 | N.A.  | 24.90  |
| 20-50   | 1596.47 | N.A.  | 39.10  |
| 40-70   | 1571.34 | N.A.  | 38.50  |
| 60-80   | 807.30  | N.A.  | 19.80  |
| 70-80   | 351.97  | N.A.  | 8.60   |
| 80-90   | 253.40  | N.A.  | 6.20   |
| 90-110  | 299.66  | N.A.  | 7.30   |
| 90-120  | 374.85  | N.A.  | 9.20   |
| 90-130  | 416.03  | N.A.  | 10.20  |
| 90-150  | 457.55  | N.A.  | 11.20  |
| 90-180  | 474.61  | N.A.  | 11.60  |
| 110-180 | 174.95  | N.A.  | 4.30   |
| 0-180   | 4085.43 | N.A.  | 100.00 |

Total Luminaire Efficiency = N.A.%

Specifications and dimensions subject to change without notice.



325 Campus Dr. | Aurora, Ohio 44202 | P: 800-324-1496 | tcp.com

we know light.™