

LED Linear Low Bay

Applications

The LB by TCP LED Low Bay family is a versatile solution for endless applications. With an all metal frame, and included mounting hardware, the LB by TCP is quick to install and will provide a long lasting durable light source for years to come.

Features

- Post painted steel frame with no scalloping and pop riveted and rounded edge corners
- Standard frosted lens for glare control
- No shadows, smooth even lighting
- Damp location rated
- 0-10V smooth no flicker dimming
- Operating temperature: -4° to 122°F
- Wide beam spread due to angled LED design providing clean cut off

Hardware Included:

- 2 Top Hangers
- 5' Jack Chains
- Hub Mount Kit for 3/4" Conduit/Stem Mount
- 6-Foot Pre-wired Cord

Applications

Low ceiling locations in commercial, industrial, retail, or warehouse settings.



Listings

cULus Listed
RoHS Compliant
DLC v4.3

Warranty

Five year limited warranty against defects in manufacturing



5 YEAR WARRANTY



Not all versions of this product are qualified on the DLC QPL. To view our DLC qualified products, please consult the DLC Qualified Products List at www.designlights.org/qpl.

Catalog Ordering Matrix Example: LB21000150

HB				
FAMILY	WATTS ¹²	VOLTAGE	COLOR TEMPERATURE	OPTIONS
LB – LED Linear Low Bay	56 – 6700 Lumens	001 – 120-277V	35 – 3500K 40 – 4000K 50 – 5000K	(see below)

¹ Actual wattage may differ by +/- 10%.

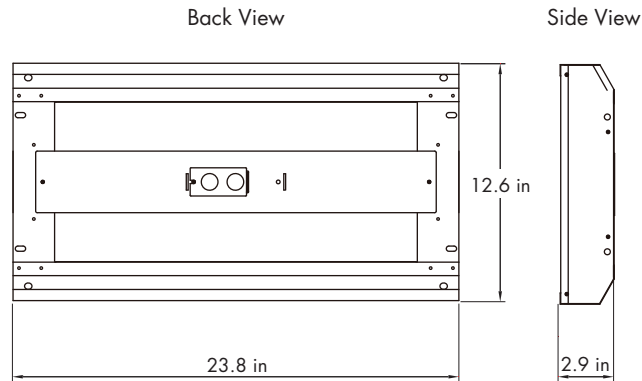
² Approximate lumen output. Actual performance may vary based on CCT, options selected and end user application.

MOTION SENSOR (Sold separately)

GYZJ00001 – Quick Snap Motion Sensor
(available pre-assembled or in box)

Items will be in QLS Packaging.

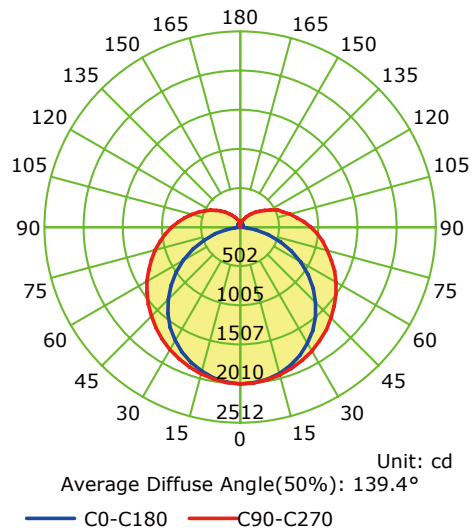
Dimensions



LB56
(23.8 x 12.6 inches)

Photometric Report

LLB56001 Luminous Intensity Distribution Curve



Specifications and dimensions subject to change without notice.